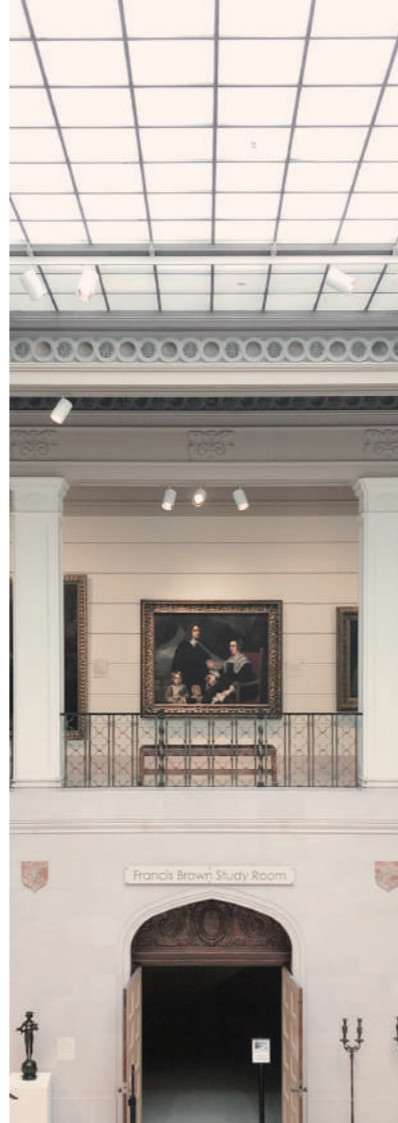


2023/2024 Emilux new catalog

Professional LED lighting

Light up the space
Illuminate the world



www.emiluxled.com

Let the light shine in the right place

Dongguan Emilux Lighting Technology Ltd

Building A No.1 Guanhuang North Road, Gaobu Town,

City: Dongguan-Guangdong province, China, 523275

E-mail: sales@emiluxled.com

Web: www.emiluxled.com



OUR DESIGN

Effective lighting plays a crucial role in the success of interior design by showcasing the designer's spatial creativity. The goal of indoor lighting design is to cater to people's visual and aesthetic needs, ensuring that the indoor space reflects both practical utility and aesthetic value. This approach aims to achieve a harmonious balance between functionality and aesthetics, optimizing the space and cultivating an artistic atmosphere. The use of decorative lighting and lamps is instrumental in enhancing the interior space, elevating its ambiance, and adding to its overall appeal.



Company profile

- Established in 2013, Dongguan Emilux Lighting Technology Co., Ltd. is situated in Dongguan Gaogao Bo Town and stands as a high-tech enterprise that integrates research and development, production, and sales. The company has incorporated advanced technology into its operations and strictly adheres to the ISO9001 quality management system standard. With a comprehensive approach to management, Emilux Lighting ensures the effective operation and coordination of all staff across every aspect and stage of the process.

The company is committed to delivering comprehensive lighting solutions and professional services. Its product range spans various sectors, including households, commercial establishments, and architectural projects. Within the domestic market, Emilux Lighting primarily serves prestigious entities such as five-star hotels, airports, shopping malls, and office buildings. The company is actively involved in projects nationwide, contributing to the lighting design of major cities, including Dalian.

Emilux Lighting is dedicated to optimizing its industrial layout, boosting brand value, fostering scientific and technological innovation, advancing intelligent manufacturing, and propelling high-quality enterprise development. With a commitment to creating aesthetically pleasing lighting environments, the company takes on the responsibility of enhancing the experiences of thousands of consumers. Through continuous development and innovation, Emilux Lighting aims to fortify China's position in the global lighting manufacturing industry.



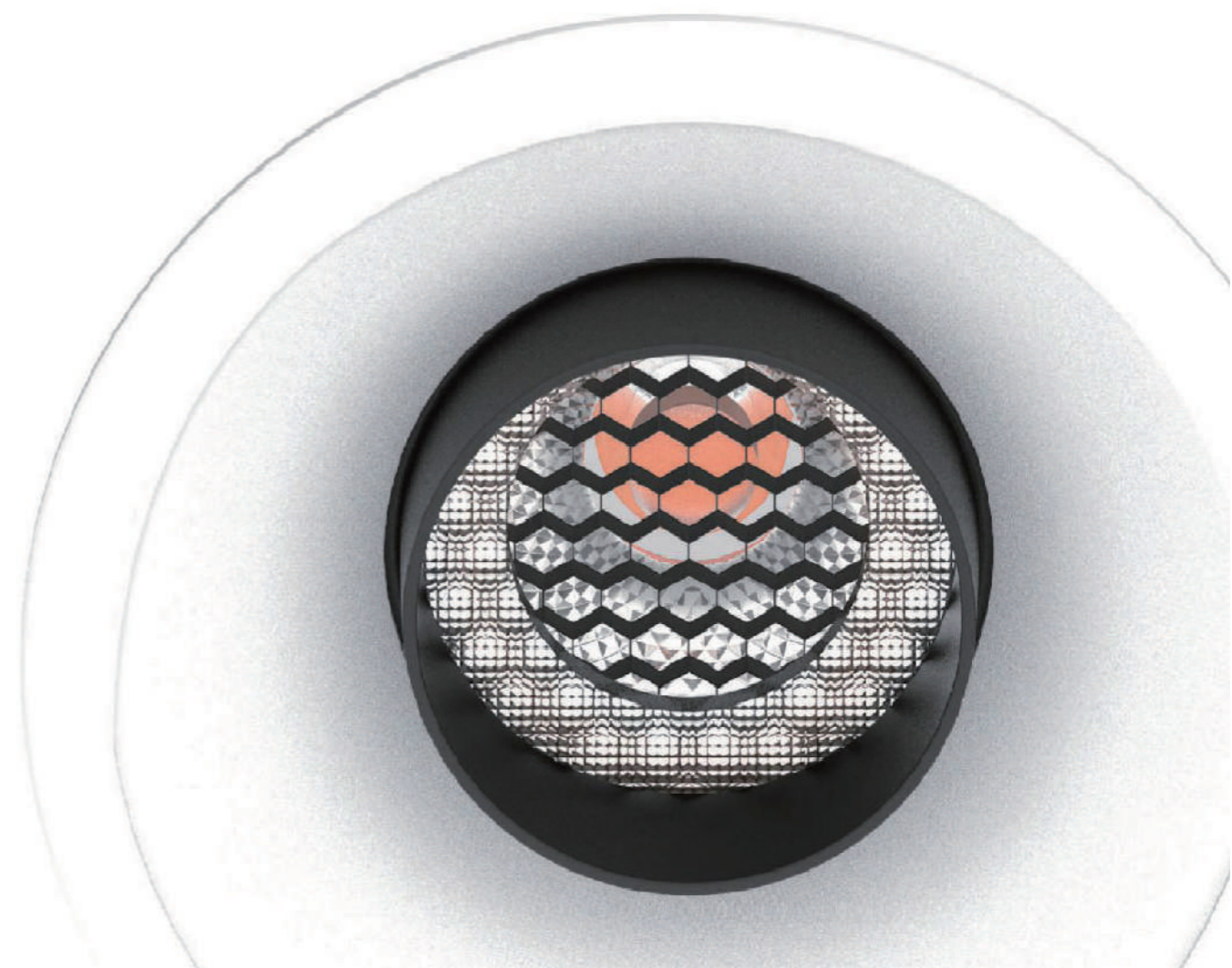
Do our best to realise your dream
that is why we are here

Emilux®

www.emiluxled.com

Lighting System Integration Supplier

Emilux® lighting



Product Index

Mini Spot Light



Project Spot Light



Classic Spot Lights



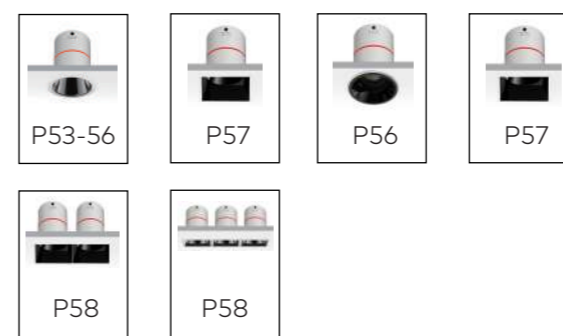
Hotel Spot Lights



Recessed Spot Lights

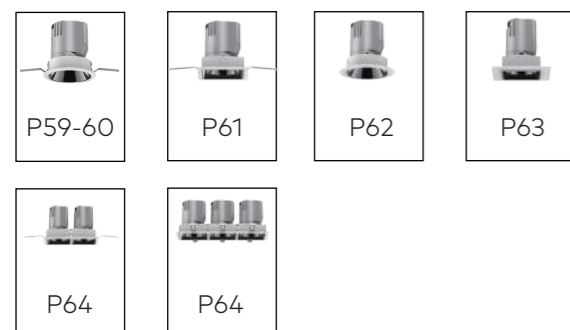


Pro hotel spot lights

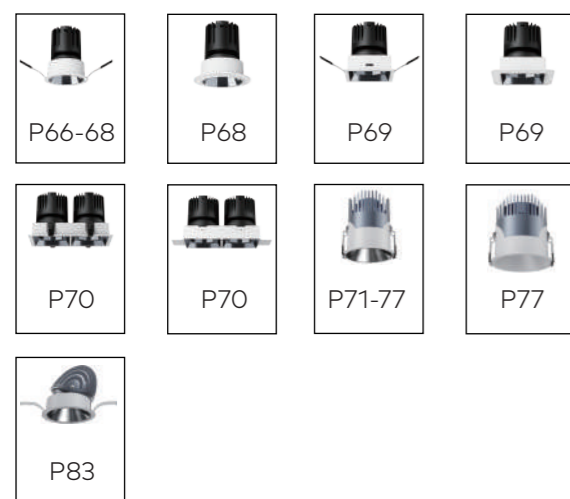


Product Index

Pro hotel spot lights



Shoot Light



SMD Down Light



IP65 Waterproof Downlight



Ceiling-Mounted Down lights



Track Spot Light



Linear Spot light



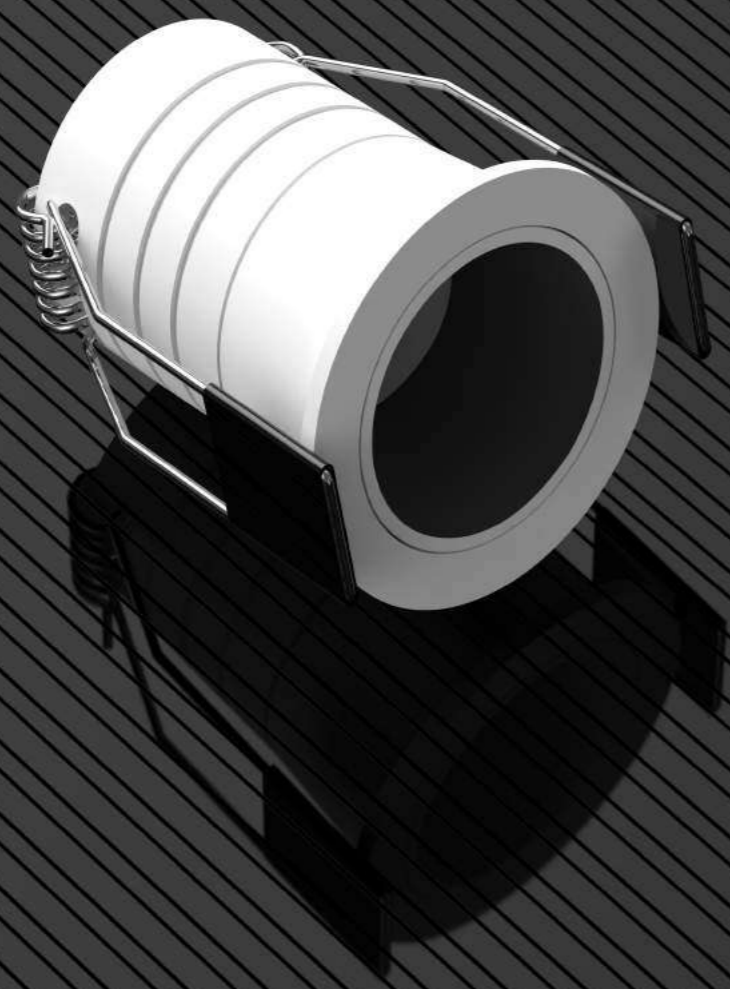
Phantom Mini Spot Light

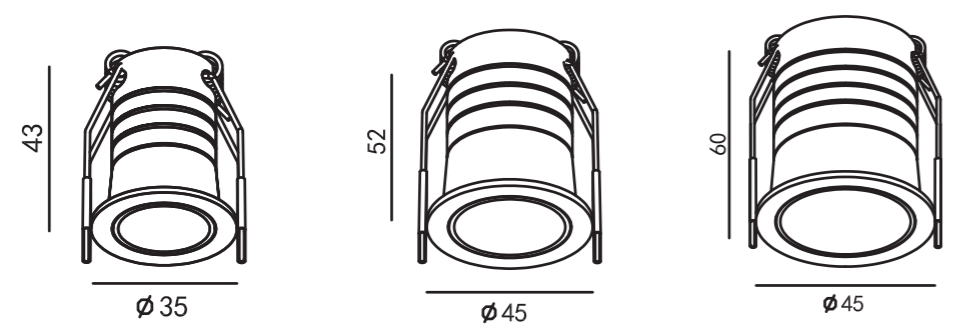
Elegant mini spot light application

- Hotel front eaves,
- Cabinet,
- Restaurant
- Jewelry display

Narrow beam angle with different color







Model No	Wattage	Driver	Beam angle	Cut out	LED Source	SDCM	Input Voltage	CCT
ES1001	3W	Lifud/ eaglerise	15/24/ 40°	30mm	Bridgelux	<3	AC220-240V	2700K/3000K 4000K/5000K
ES1002	5W	Lifud/ eaglerise	15/24/ 40°	40mm	Bridgelux	<3	AC220-240V	2700K/3000K 4000K/5000K
ES1003	7W	Lifud/ eaglerise	15/24/ 40°	50mm	Bridgelux	<3	AC220-240V	2700K/3000K 4000K/5000K

ES1004	3W	Lifud/ eaglerise	15/24/ 40°	30mm	Bridgelux	<3	AC220-240V	2700K/3000K 4000K/5000K
ES1005	5W	Lifud/ eaglerise	15/24/ 40°	40mm	Bridgelux	<3	AC220-240V	2700K/3000K 4000K/5000K
ES1006	7W	Lifud/ eaglerise	15/24/ 40°	50mm	Bridgelux	<3	AC220-240V	2700K/3000K 4000K/5000K

- ◆ This product is set to be used in our existing indoor lighting
- ◆ Extremely simple and fast lighting mode, reducing the proportion of lamps to ceiling
- ◆ The actual best simplicity of ceiling, reducing the area occupied by lamps in ceiling



Stars mini spot lights

The overall shape is small, the minimum opening size is only 3.5CM, and the miniaturized lamps realize better dot matrix effect for the space without main lamp



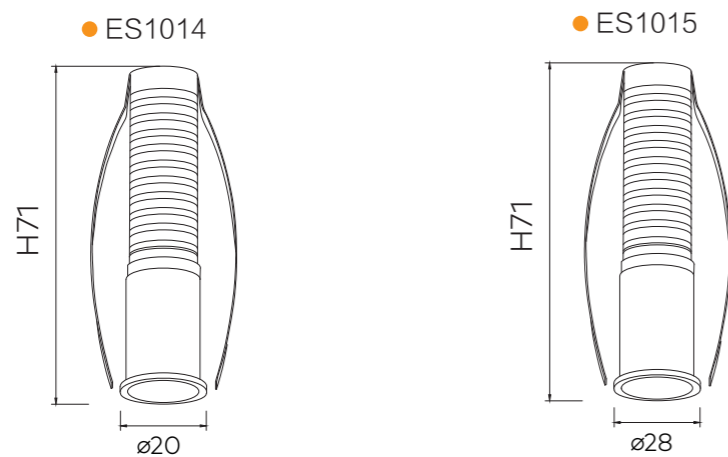
Application

Stars mini products can meet the solutions of different scenarios such as home spaces, art spaces, shopping malls, brand stores, office spaces, restaurants, bars, and hotel clubs



Mini Spot Light

Stars mini spot lights



TECHNICAL DETAILS

Wattage	LED Source	UGR	CRI	CCT	Input Voltage	Cut out	Driver	Size	Beam Angle
3W	OSRAM3030	< 10	≥90	3000/4000/5000K	AC220-240v	18	XTIAN	71*20	25°
3W	CREE3535	< 10	≥90	3000/4000/5000K	AC220-240v	25	XTIAN	71*28	25°



The star mini spot lights can also be dazzling outdoors

TECHNICAL DETAILS

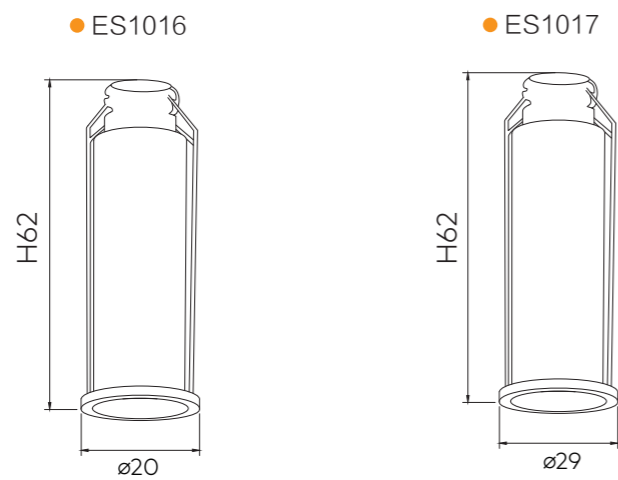
- Material**
aluminium die casting
- Control**
silicon controlled dimmer/1-10V/DALI
- Optic**
Lens
- Light source**
Bridgelux/OSRAM/CREE
- Driver**
Lifud/Eaglerise/Philips/OSRAM/TRIDONIC
- Input voltage**
AC220-240v

Light distributions



Mini Spot Light

Stars mini spot lights



TECHNICAL DETAILS

Wattage	LED Source	UGR	CRI	CCT	Input Voltage	Cut out	Driver	Size	Beam Angle
3W	OSRAM3030	< 10	≥90	3000/4000/5000K	AC220-240v	18	XTIAN	62*20	25°
3W	CREE3535	< 10	≥90	3000/4000/5000K	AC220-240v	25	XTIAN	63*29	25°



It may be a quiet and serene experience to light up the mini spotlights at dusk

TECHNICAL DETAILS

Material
aluminium die casting

Control
silicon controlled dimmer/1-10V/DALI

Optic
Lens

Light source
Bridgelux/OSRAM/CREE

Driver
Lifud/Eaglerise/Philips/OSRAM/TRIDONIC

Input voltage
AC220-240v

Light distributions



Mini Spot Light

Stars mini spot lights



● ES1008 ES1009 ES1010

● ES1011 ES1012 ES1013

Elegant mini spot light application

- Hotel front eaves,
- Cabinet,
- Restaurant
- Jewelry display

TECHNICAL DETAILS

Material aluminium die casting	Control silicon controlled dimmer/1-10V/DALI
Optic Lens	Light source Bridgelux/OSRAM/CREE
Driver Lifud/Eaglerise/Philips/OSRAM/TRIDONIC	Input voltage AC220-240v

Light distributions



TECHNICAL DETAILS

Wattage	LED Source	UGR	CRI	CCT	Input Voltage	Cut out	Driver	Size	Beam Angle
---------	------------	-----	-----	-----	---------------	---------	--------	------	------------

ES1008 ES1009 ES1010

3W	CREE3535	<10	≥90	3000/4000/5000K	AC220-240v	Φ40	XTIAN	45*50	15/25/40°
----	----------	-----	-----	-----------------	------------	-----	-------	-------	-----------

7W	Bridgelux /CREE	<10	≥90	3000/4000/5000K	AC220-240v	Φ50	Lifud/eaglerise	57*65	15/25/40°
----	-----------------	-----	-----	-----------------	------------	-----	-----------------	-------	-----------

9W	Bridgelux /CREE	<10	≥90	3000/4000/5000K	AC220-240v	Φ60	Lifud/eaglerise	69*80	15/25/40°
----	-----------------	-----	-----	-----------------	------------	-----	-----------------	-------	-----------

ES1011 ES1012 ES1013

3W	CREE3535	<10	≥90	3000/4000/5000K	AC220-240v	Φ40	XTIAN	45*50	15/25/40°
----	----------	-----	-----	-----------------	------------	-----	-------	-------	-----------

5/7W	Bridgelux /CREE	<10	≥90	3000/4000/5000K	AC220-240v	Φ50	Lifud/eaglerise	57*65	15/25/40°
------	-----------------	-----	-----	-----------------	------------	-----	-----------------	-------	-----------

9W	Bridgelux /CREE	<10	≥90	3000/4000/5000K	AC220-240v	Φ60	Lifud/eaglerise	69*80	15/25/40°
----	-----------------	-----	-----	-----------------	------------	-----	-----------------	-------	-----------



The star mini spot lights can also be dazzling outdoors

Mini Spot Light

Stars mini spot lights



● ES1018 ES1019 ES1020 ES1021

Elegant mini spot light application

- Hotel front eaves,
- Cabinet,
- Restaurant
- Jewelry display

TECHNICAL DETAILS

Material aluminium die casting	Control silicon controlled dimmer/1-10V/DALI
Optic Lens	Light source Bridgelux/OSRAM/CREE
Driver Lifud/Eaglerise/Philips/OSRAM/TRIDONIC	Input voltage AC220-240v

Light distributions



TECHNICAL DETAILS

Wattage	LED Source	UGR	CRI	CCT	Input Voltage	Cut out	Driver	Size	Beam Angle
ES1018 ES1019 ES1020 ES1021									
9W	Bridgelux /CREE	<10	≥90	3000/4000/5000K	AC220-240v	45	Lifud/eaglerise	53*100	15/25/36°
9W	Bridgelux /CREE	<10	≥90	3000/4000/5000K	AC220-240v	45	Lifud/eaglerise	63*100	15/25/36°
7W	Bridgelux /CREE	<10	≥90	3000/4000/5000K	AC220-240v	35	Lifud/eaglerise	44*66	36°
7W	Bridgelux /CREE	<10	≥90	3000/4000/5000K	AC220-240v	45	Lifud/eaglerise	50*67	36°



The star mini spot lights can also be dazzling outdoors

Mini Spot Light

Stars mini spot lights



TECHNICAL DETAILS

Wattage	LED Source	SDCM	CRI	CCT	Input Voltage	Cut out	Driver	Size	Beam Angle
---------	------------	------	-----	-----	---------------	---------	--------	------	------------

ES1022 ES1023 ES1024 ES1025

11W	Bridgelux /CREE	< 3	≥90	3000/4000/5000K	AC220-240v	Φ45	Lifud/eaglerise	53*66	10/15/24/36/50°
-----	-----------------	-----	-----	-----------------	------------	-----	-----------------	-------	-----------------

9W	Bridgelux /CREE	< 3	≥90	3000/4000/5000K	AC220-240v	Φ42	Lifud/eaglerise	70*66	10/15/24/36/50°
----	-----------------	-----	-----	-----------------	------------	-----	-----------------	-------	-----------------

9W	Bridgelux /CREE	< 3	≥90	3000/4000/5000K	AC220-240v	Φ52	Lifud/eaglerise	63*66	10/15/24/36/50°
----	-----------------	-----	-----	-----------------	------------	-----	-----------------	-------	-----------------

9W	Bridgelux /CREE	< 3	≥90	3000/4000/5000K	AC220-240v	Φ50	Lifud/eaglerise	80*66	10/15/24/36/50°
----	-----------------	-----	-----	-----------------	------------	-----	-----------------	-------	-----------------

Elegant mini spot light application

- Hotel front eaves,
- Cabinet,
- Restaurant
- Jewelry display

TECHNICAL DETAILS

Material aluminium die casting	Control silicon controlled dimmer/1-10V/DALI
Optic Lens	Light source Bridgelux/OSRAM/CREE
Driver Lifud/Eaglerise/Philips/OSRAM/TRIDONIC	Input voltage AC220-240v

Light distributions



The star mini spot lights can also be dazzling outdoors

Mini Spot Light

Stars mini spot lights



● ES1026

● ES1027
Trimless

● ES1028

● ES1029

Elegant mini spot light application

- Hotel front eaves,
- Cabinet,
- Restaurant
- Jewelry display

TECHNICAL DETAILS

Material aluminium die casting	Control silicon controlled dimmer/1-10V/DALI
Optic Lens	Light source Bridgelux/OSRAM/CREE
Driver Lifud/Eaglerise/Philips/OSRAM/TRIDONIC	Input voltage AC220-240v

Light distributions



TECHNICAL DETAILS

Wattage	LED Source	SDCM	CRI	CCT	Input Voltage	Cut out	Driver	Size	Beam Angle
---------	------------	------	-----	-----	---------------	---------	--------	------	------------

ES1026 ES1027 ES1028 ES1029

9W	Bridgelux /CREE	< 3	≥90	3000/4000/5000K	AC220-240v	Φ45	Lifud/eaglerise	53*66	10/15/24/36/50°
----	-----------------	-----	-----	-----------------	------------	-----	-----------------	-------	-----------------

9W	Bridgelux /CREE	< 3	≥90	3000/4000/5000K	AC220-240v	Φ42	Lifud/eaglerise	70*66	10/15/24/36/50°
----	-----------------	-----	-----	-----------------	------------	-----	-----------------	-------	-----------------

9W	Bridgelux /CREE	< 3	≥90	3000/4000/5000K	AC220-240v	Φ52	Lifud/eaglerise	63*66	10/15/24/36/50°
----	-----------------	-----	-----	-----------------	------------	-----	-----------------	-------	-----------------

9W	Bridgelux /CREE	< 3	≥90	3000/4000/5000K	AC220-240v	Φ50	Lifud/eaglerise	80*66	10/15/24/36/50°
----	-----------------	-----	-----	-----------------	------------	-----	-----------------	-------	-----------------



The star mini spot lights can also be dazzling outdoors

Mini Spot Light

Stars mini spot lights



● ES1030 ● ES1031 ● ES1032 ● ES1033

Elegant mini spot light application

- Hotel front eaves,
- Cabinet,
- Restaurant
- Jewelry display

TECHNICAL DETAILS

Material aluminium die casting	Control silicon controlled dimmer/1-10V/DALI
Optic Lens	Light source Bridgelux/OSRAM/CREE
Driver Lifud/Eaglerise/Philips/OSRAM/TRIDONIC	Input voltage AC220-240v

Light distributions



TECHNICAL DETAILS

Wattage	LED Source	SDCM	CRI	CCT	Input Voltage	Cut out	Driver	Size	Beam Angle
---------	------------	------	-----	-----	---------------	---------	--------	------	------------

ES1030 ES1031 ES1032 ES1033

9W	Bridgelux /CREE	< 3	≥90	3000/4000/5000K	AC220-240v	Φ45	Lifud/eaglerise	53*66	10/15/24/36/50°
9W	Bridgelux /CREE	< 3	≥90	3000/4000/5000K	AC220-240v	Φ42	Lifud/eaglerise	70*66	10/15/24/36/50°
9W	Bridgelux /CREE	< 3	≥90	3000/4000/5000K	AC220-240v	Φ45	Lifud/eaglerise	53*66	10/15/24/36/50°
9W	Bridgelux /CREE	< 3	≥90	3000/4000/5000K	AC220-240v	Φ42	Lifud/eaglerise	70*66	10/15/24/36/50°

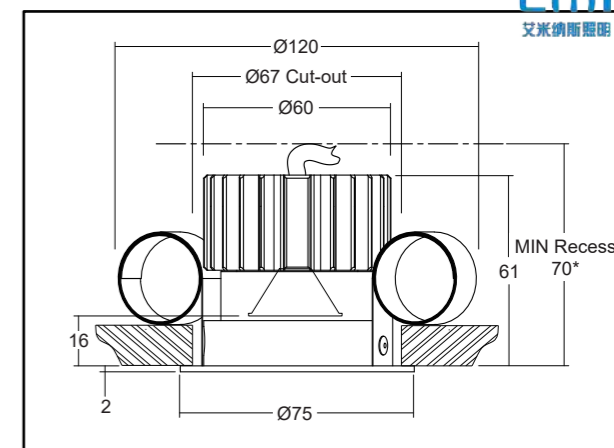
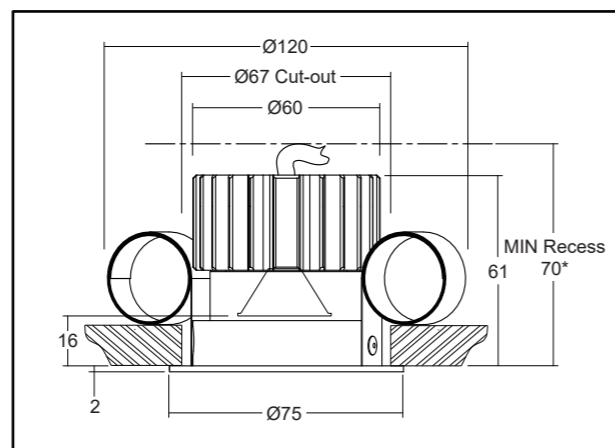


The star mini spot lights can also be dazzling outdoors

Project spot light

Precision, Efficiency, and Elegance for
Elevating Your Space to New Heights



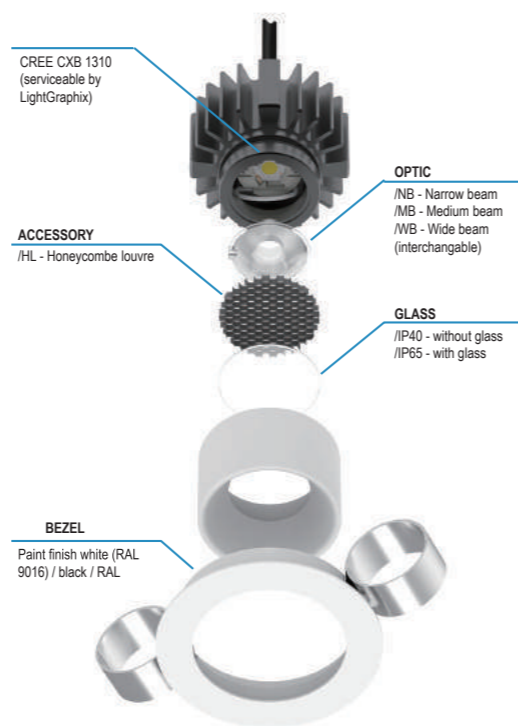


Scorpio

ES2007 ES2008 ES2009

Key Features

- Designed for external applications including boats/marine environments
 - High quality machined stainless steel 316 and anodised aluminium components
 - Designed for ceilings with a minimal recess depth - only 70mm recess
 - Inner baffle is supplied as gun metal grey as standard
 - High power 900lm output
 - 93 CRI Cree LED
 - Recessed LED and optic for reduced glare
 - Single optic produces a very consistent beam, no multiple shadows
 - Compact design ensures it fits into most project styles
 - IP67 as standard
 - Constant force springs make this fitting suitable for delicate mounting surfaces
- Available with Switch, 0-10V, DMX, Dali or Mains dimmable drivers



Specification

Wattage	LED Source	UGR	CRI	CCT	Input Voltage	Cut out	Driver	Size	Beam Angle
6W	Bridgelux	< 10	≥90	2700/3000/4000/5000K	AC220-240v	Ø68/70	Lifud/eaglerise	75*64	18/25/40°
10W	Bridgelux	< 10	≥90	2700/3000/4000/5000K	AC220-240v	Ø68/70	Lifud/eaglerise	75*64	18/25/40°
15W	Bridgelux	< 10	≥90	2700/3000/4000/5000K	AC220-240v	Ø68/70	Lifud/eaglerise	75*64	18/25/40°

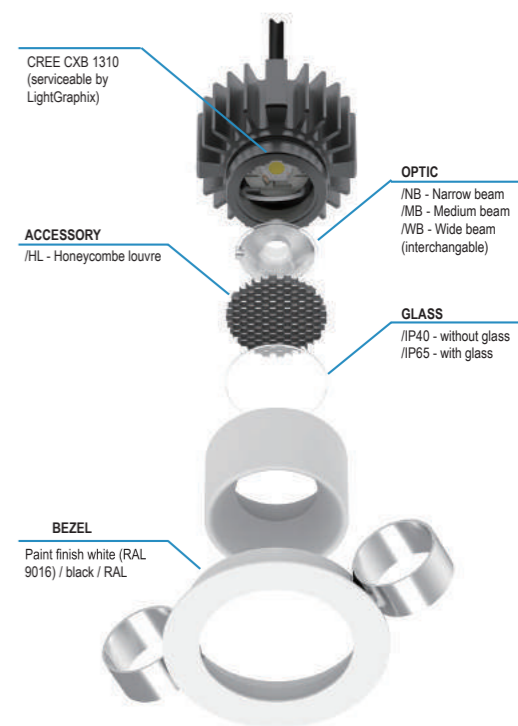


Scorpio

ES2007 ES2008 ES2009

Key Features

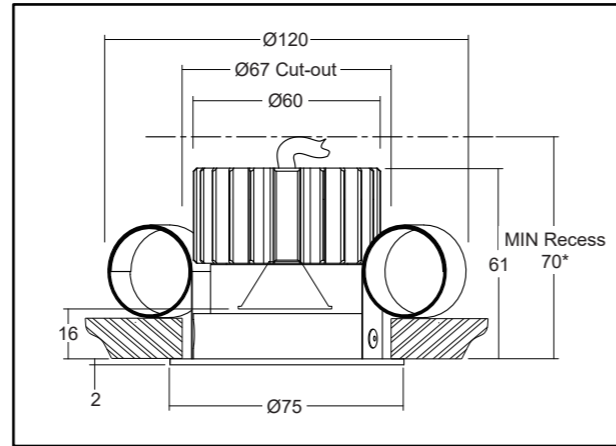
- Designed for external applications including boats/marine environments
 - High quality machined stainless steel 316 and anodised aluminium components
 - Designed for ceilings with a minimal recess depth - only 70mm recess
 - Inner baffle is supplied as gun metal grey as standard
 - High power 900lm output
 - 93 CRI Cree LED
 - Recessed LED and optic for reduced glare
 - Single optic produces a very consistent beam, no multiple shadows
 - Compact design ensures it fits into most project styles
 - IP67 as standard
 - Constant force springs make this fitting suitable for delicate mounting surfaces
- Available with Switch, 0-10V, DMX, Dali or Mains dimmable drivers



Specification

Wattage	LED Source	UGR	CRI	CCT	Input Voltage	Cut out	Driver	Size	Beam Angle
6W	Bridgelux	< 10	≥90	2700/3000/4000/5000K	AC220-240v	Ø68/70	Lifud/eaglerise	75*58	18/25/40°
10W	Bridgelux	< 10	≥90	2700/3000/4000/5000K	AC220-240v	Ø68/70	Lifud/eaglerise	75*58	18/25/40°
15W	Bridgelux	< 10	≥90	2700/3000/4000/5000K	AC220-240v	Ø68/70	Lifud/eaglerise	75*58	18/25/40°



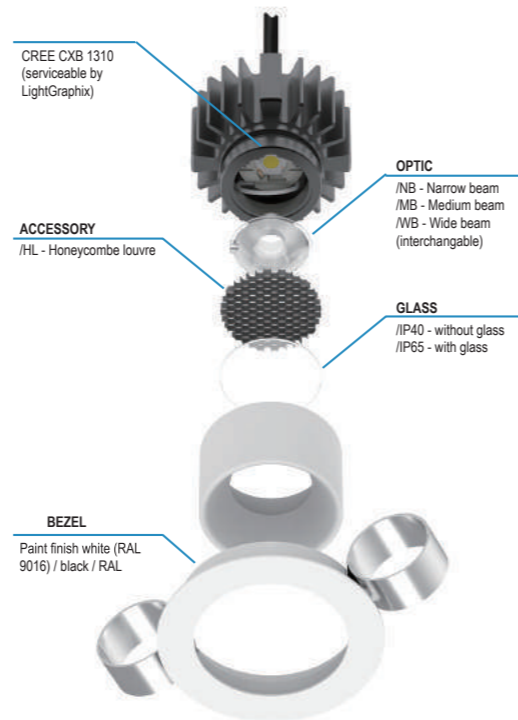


Scorpio

ES2007 ES2008 ES2009

Key Features

- Designed for external applications including boats/marine environments
 - High quality machined stainless steel 316 and anodised aluminium components
 - Designed for ceilings with a minimal recess depth - only 70mm recess
 - Inner baffle is supplied as gun metal grey as standard
 - High power 900lm output
 - 93 CRI Cree LED
 - Recessed LED and optic for reduced glare
 - Single optic produces a very consistent beam, no multiple shadows
 - Compact design ensures it fits into most project styles
 - IP67 as standard
 - Constant force springs make this fitting suitable for delicate mounting surfaces
- Available with Switch, 0-10V, DMX, Dali or Mains dimmable drivers



Specification

Wattage	LED Source	UGR	CRI	CCT	Input Voltage	Cut out	Driver	Size	Beam Angle
6W	Bridgelux	< 10	≥90	2700/3000/4000/5000K	AC220-240v	Ø68/70	Lifud/eaglerise	75*64	18/25/40°
10W	Bridgelux	< 10	≥90	2700/3000/4000/5000K	AC220-240v	Ø68/70	Lifud/eaglerise	75*64	18/25/40°
15W	Bridgelux	< 10	≥90	2700/3000/4000/5000K	AC220-240v	Ø68/70	Lifud/eaglerise	75*64	18/25/40°





Spyder

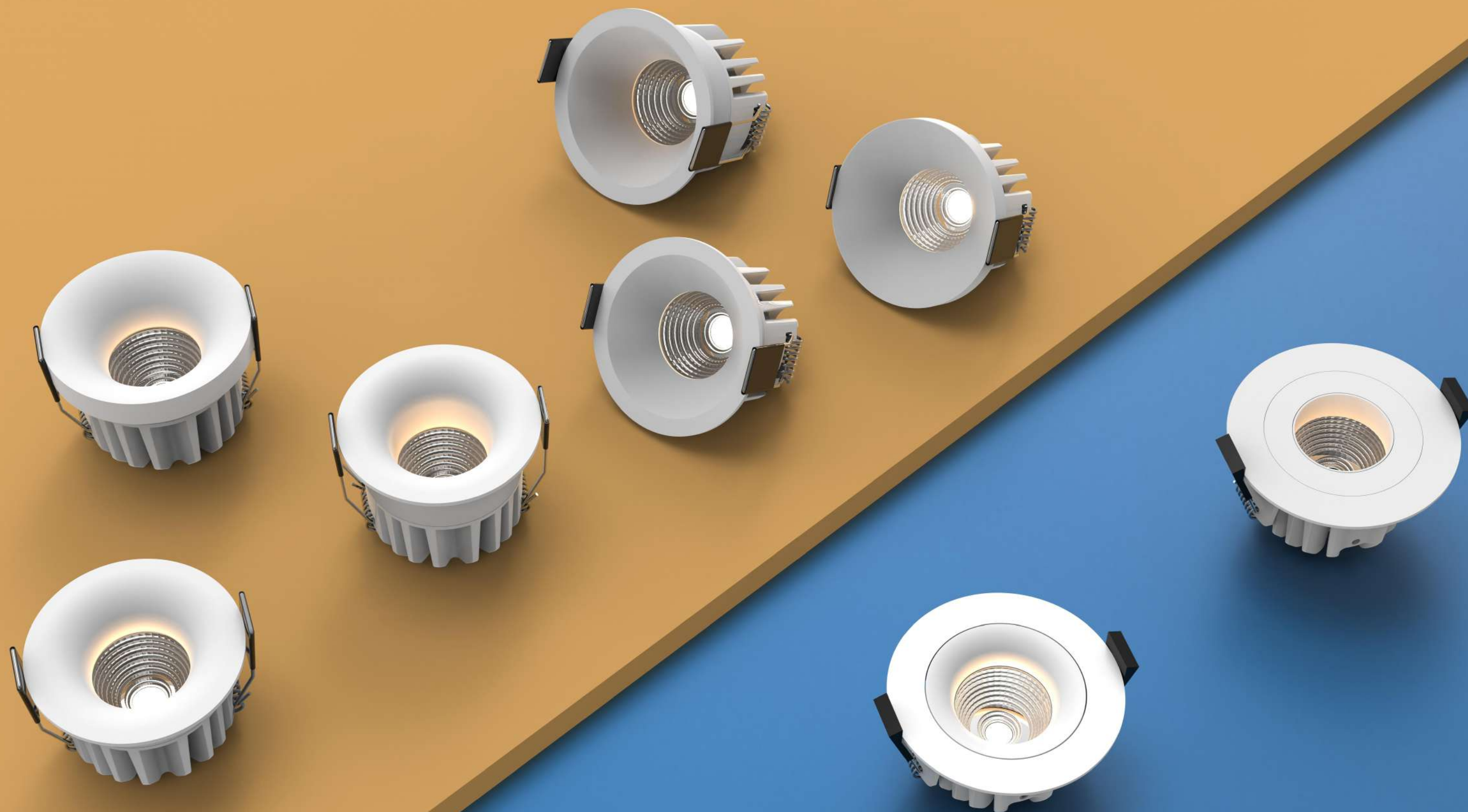
Classic spot lights

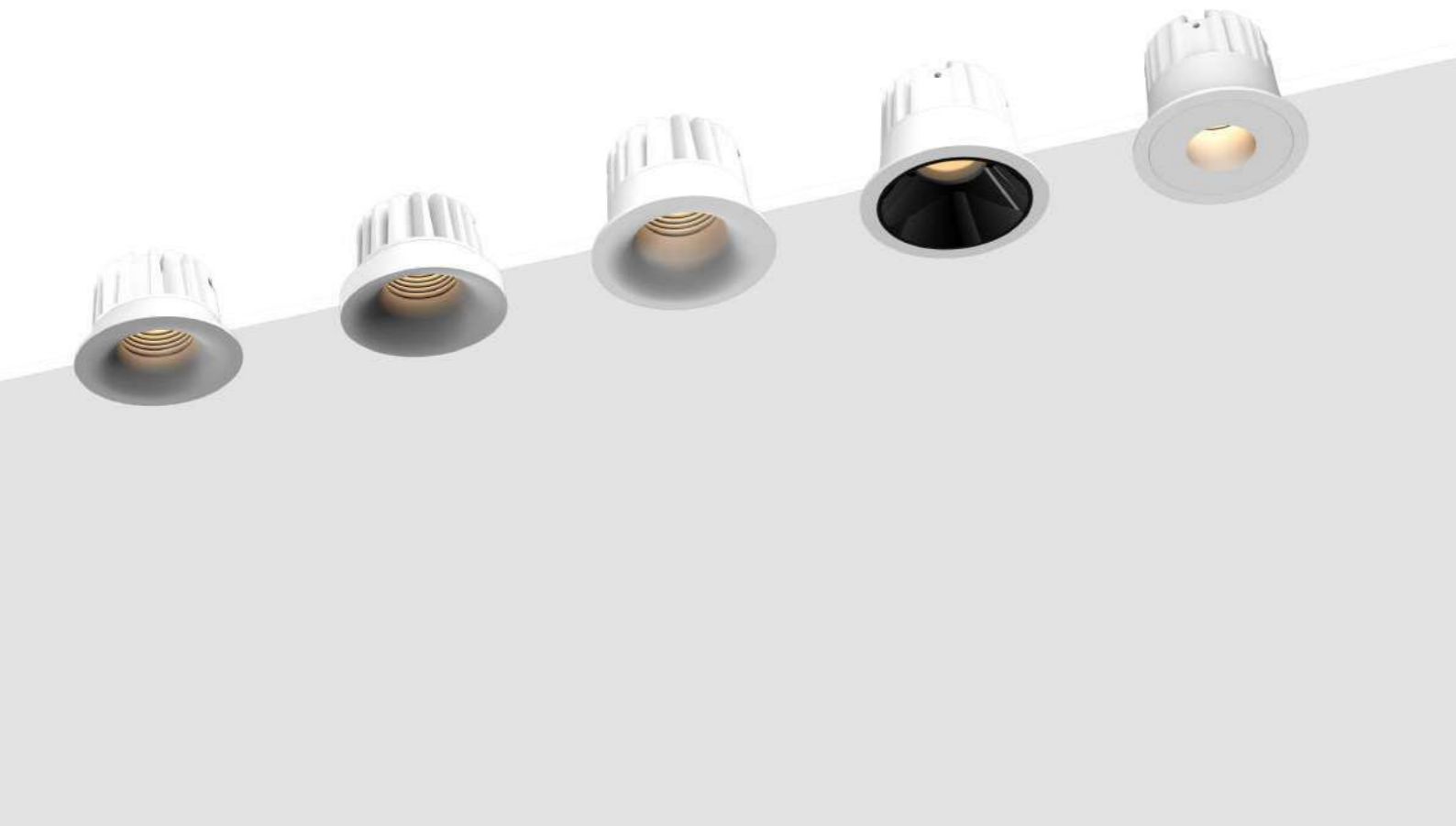
The body of the LED hotel spotlight is crafted from aluminum alloy, presenting a stylish and contemporary aesthetic. The optical reflector design caters to various irradiation angles, enhancing versatility.

The spotlight utilizes a COB (Chip-on-Board) light source, typically featuring wafer chip technology. Customers can choose LED light sources from reputable brands such as CREE, BRIDGELUX, and CITIZEN based on their preferences. Alternatively, the option to specify other brands of light sources is also available.

For ease of installation, the spotlight incorporates a constant current isolation drive, ensuring a straightforward setup process.

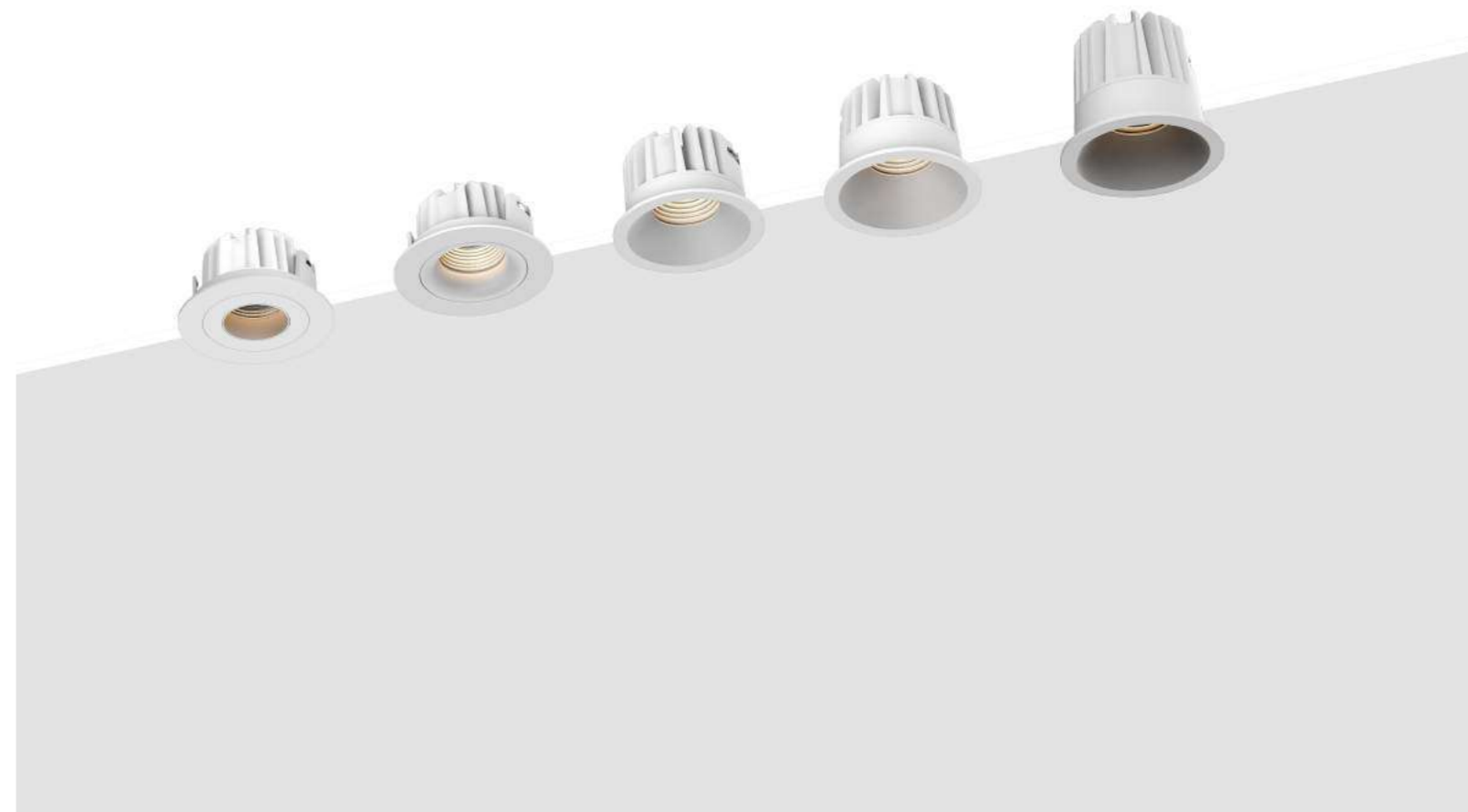






In the business world, making a lasting first impression is paramount. Classic spotlights play a crucial role in creating a memorable and impactful impression that customers will carry with them. Whether adorning high-end retail spaces, restaurants, or showrooms, the use of classic spotlights is a savvy choice to guide and captivate your audience.

Classic spotlights illuminate the path to the future. Beyond offering bright and even lighting for your store or office, this light fixture directs attention to the specific product or area you aim to highlight. Considered a secret weapon for success, these spotlights elevate your brand and image, propelling them to the next level.





Reflector type

Lens type

Spyder

ES2010 ES2011 ES2014



Specification

ES2010

Wattage	LED Source	SDCM	CRI	CCT	Input Voltage	Cut out	Driver	Size	Beam Angle
6W	Bridgelux	< 3	≥90	2700-6500K/ 1800-3000K	AC220-240v	68-75mm	Lifud/eaglerise	Φ85*42	20/40/60°
8W	Bridgelux	< 3	≥90	2700-6500K/ 1800-3000K	AC220-240v	68-75mm	Lifud/eaglerise	Φ85*42	20/40/60°

ES2011

Wattage	LED Source	SDCM	CRI	CCT	Input Voltage	Cut out	Driver	Size	Beam Angle
10W	Bridgelux	< 3	≥90	2700-6500K/ 1800-3000K	AC220-240v	68-75mm	Lifud/eaglerise	Φ85*52	20/40/60°
12W	Bridgelux	< 3	≥90	2700-6500K/ 1800-3000K	AC220-240v	68-75mm	Lifud/eaglerise	Φ85*52	20/40/60°

ES2014

Wattage	LED Source	SDCM	CRI	CCT	Input Voltage	Cut out	Driver	Size	Beam Angle
10W	Bridgelux	< 3	≥90	2700-6500K/ 1800-3000K	AC220-240v	83-85mm	Lifud/eaglerise	Φ95*48	20/40/60°
12W	Bridgelux	< 3	≥90	2700-6500K/ 1800-3000K	AC220-240v	83-85mm	Lifud/eaglerise	Φ95*48	20/40/60°

Customized colors





Spyder Adjustable

ES2012 ES2013 ES2015

Specification

ES2012

Wattage	LED Source	SDCM	CRI	CCT	Input Voltage	Cut out	Driver	Size	Beam Angle
6W	Bridgelux	< 3	≥90	2700-6500K/ 1800-3000K	AC220-240v	68-75mm	Lifud/eaglerise	Φ85*42	20/40/60°
8W	Bridgelux	< 3	≥90	2700-6500K/ 1800-3000K	AC220-240v	68-75mm	Lifud/eaglerise	Φ85*42	20/40/60°

ES2013

Wattage	LED Source	SDCM	CRI	CCT	Input Voltage	Cut out	Driver	Size	Beam Angle
10W	Bridgelux	< 3	≥90	2700-6500K/ 1800-3000K	AC220-240v	68-75mm	Lifud/eaglerise	Φ85*52	20/40/60°
12W	Bridgelux	< 3	≥90	2700-6500K/ 1800-3000K	AC220-240v	68-75mm	Lifud/eaglerise	Φ85*52	20/40/60°

ES2015

Wattage	LED Source	SDCM	CRI	CCT	Input Voltage	Cut out	Driver	Size	Beam Angle
10W	Bridgelux	< 3	≥90	2700-6500K/ 1800-3000K	AC220-240v	83-85mm	Lifud/eaglerise	Φ95*48	20/40/60°
12W	Bridgelux	< 3	≥90	2700-6500K/ 1800-3000K	AC220-240v	83-85mm	Lifud/eaglerise	Φ95*48	20/40/60°





Spyder

ES2026 ES2027 ES2033 ES2039

Specification

Wattage	LED Source	SDCM	CRI	CCT	Input Voltage	Cut out	Driver	Size	Beam Angle
---------	------------	------	-----	-----	---------------	---------	--------	------	------------

ES2026 ES2027

6W	Bridgelux	< 3	≥90	2700/3000/ 4000/5000K	AC220-240v	Φ60	Lifud/eaglerise	Φ68*48	20/40/60°
8W	Bridgelux	< 3	≥90	2700/3000/ 4000/5000K	AC220-240v	Φ60	Lifud/eaglerise	Φ68*48	20/40/60°
10W	Bridgelux	< 3	≥90	2700/3000/ 4000/5000K	AC220-240v	Φ60	Lifud/eaglerise	Φ68*58	20/40/60°
12W	Bridgelux	< 3	≥90	2700/3000/ 4000/5000K	AC220-240v	Φ60	Lifud/eaglerise	Φ68*58	20/40/60°

ES2033

6W	Bridgelux	< 3	≥90	2700/3000/ 4000/5000K	AC220-240v	Φ68-75	Lifud/eaglerise	Φ85*52	15/25/38/60°
8W	Bridgelux	< 3	≥90	2700/3000/ 4000/5000K	AC220-240v	Φ68-75	Lifud/eaglerise	Φ85*52	15/25/38/60°
10W	Bridgelux	< 3	≥90	2700/3000/ 4000/5000K	AC220-240v	Φ68-75	Lifud/eaglerise	Φ85*52	15/25/38/60°
12W	Bridgelux	< 3	≥90	2700/3000/ 4000/5000K	AC220-240v	Φ68-75	Lifud/eaglerise	Φ85*52	15/25/38/60°

ES2039

10W	Bridgelux	< 3	≥90	2700/3000/ 4000/5000K	AC220-240v	Φ80-85	Lifud/eaglerise	Φ95*55	15/25/38/60°
12W	Bridgelux	< 3	≥90	2700/3000/ 4000/5000K	AC220-240v	Φ80-85	Lifud/eaglerise	Φ95*55	15/25/38/60°





Spyder

ES2022 ES2023 ES2031 ES2037

Specification

Wattage	LED Source	SDCM	CRI	CCT	Input Voltage	Cut out	Driver	Size	Beam Angle
---------	------------	------	-----	-----	---------------	---------	--------	------	------------

ES2022 ES2023

6W	Bridgelux	<3	≥90	2700/3000/4000/5000K	AC220-240v	Φ60	Lifud/eaglerise	Φ68*48	20/40/60°
8W	Bridgelux	<3	≥90	2700/3000/4000/5000K	AC220-240v	Φ60	Lifud/eaglerise	Φ68*48	20/40/60°
10W	Bridgelux	<3	≥90	2700/3000/4000/5000K	AC220-240v	Φ60	Lifud/eaglerise	Φ68*58	20/40/60°
12W	Bridgelux	<3	≥90	2700/3000/4000/5000K	AC220-240v	Φ60	Lifud/eaglerise	Φ68*58	20/40/60°

ES2031

6W	Bridgelux	<3	≥90	2700/3000/4000/5000K	AC220-240v	Φ68-75	Lifud/eaglerise	Φ85*52	15/25/38/60°
8W	Bridgelux	<3	≥90	2700/3000/4000/5000K	AC220-240v	Φ68-75	Lifud/eaglerise	Φ85*52	15/25/38/60°
10W	Bridgelux	<3	≥90	2700/3000/4000/5000K	AC220-240v	Φ68-75	Lifud/eaglerise	Φ85*52	15/25/38/60°
12W	Bridgelux	<3	≥90	2700/3000/4000/5000K	AC220-240v	Φ68-75	Lifud/eaglerise	Φ85*52	15/25/38/60°

ES2037

10W	Bridgelux	<3	≥90	2700/3000/4000/5000K	AC220-240v	Φ80-85	Lifud/eaglerise	Φ95*55	15/25/38/60°
12W	Bridgelux	<3	≥90	2700/3000/4000/5000K	AC220-240v	Φ80-85	Lifud/eaglerise	Φ95*55	15/25/38/60°





Spyder

ES2024 ES2025 ES2035 ES2038

Specification

Wattage	LED Source	SDCM	CRI	CCT	Input Voltage	Cut out	Driver	Size	Beam Angle
---------	------------	------	-----	-----	---------------	---------	--------	------	------------

ES2024 ES2025

6W	Bridgelux	< 3	≥90	2700/3000/4000/5000K	AC220-240v	Φ60	Lifud/eaglerise	Φ68*48	20/40/60°
8W	Bridgelux	< 3	≥90	2700/3000/4000/5000K	AC220-240v	Φ60	Lifud/eaglerise	Φ68*48	20/40/60°
10W	Bridgelux	< 3	≥90	2700/3000/4000/5000K	AC220-240v	Φ60	Lifud/eaglerise	Φ68*58	20/40/60°
12W	Bridgelux	< 3	≥90	2700/3000/4000/5000K	AC220-240v	Φ60	Lifud/eaglerise	Φ68*58	20/40/60°

ES2035

6W	Bridgelux	< 3	≥90	2700/3000/4000/5000K	AC220-240v	Φ68-75	Lifud/eaglerise	Φ85*52	15/25/38/60°
8W	Bridgelux	< 3	≥90	2700/3000/4000/5000K	AC220-240v	Φ68-75	Lifud/eaglerise	Φ85*52	15/25/38/60°
10W	Bridgelux	< 3	≥90	2700/3000/4000/5000K	AC220-240v	Φ68-75	Lifud/eaglerise	Φ85*52	15/25/38/60°
12W	Bridgelux	< 3	≥90	2700/3000/4000/5000K	AC220-240v	Φ68-75	Lifud/eaglerise	Φ85*52	15/25/38/60°

ES2038

10W	Bridgelux	< 3	≥90	2700/3000/4000/5000K	AC220-240v	Φ80-85	Lifud/eaglerise	Φ95*55	15/25/38/60°
12W	Bridgelux	< 3	≥90	2700/3000/4000/5000K	AC220-240v	Φ80-85	Lifud/eaglerise	Φ95*55	15/25/38/60°







Spyder

ES2016 ES2017 ES2028 ES2034

Specification

Wattage	LED Source	SDCM	CRI	CCT	Input Voltage	Cut out	Driver	Size	Beam Angle
---------	------------	------	-----	-----	---------------	---------	--------	------	------------

ES2016 ES2017

6W	Bridgelux	< 3	≥90	2700/3000/ 4000/5000K	AC220-240v	Φ60	Lifud/eaglerise	Φ68*48	20/40/60°
8W	Bridgelux	< 3	≥90	2700/3000/ 4000/5000K	AC220-240v	Φ60	Lifud/eaglerise	Φ68*48	20/40/60°
10W	Bridgelux	< 3	≥90	2700/3000/ 4000/5000K	AC220-240v	Φ60	Lifud/eaglerise	Φ68*58	20/40/60°
12W	Bridgelux	< 3	≥90	2700/3000/ 4000/5000K	AC220-240v	Φ60	Lifud/eaglerise	Φ68*58	20/40/60°

ES2028

6W	Bridgelux	< 3	≥90	2700/3000/ 4000/5000K	AC220-240v	Φ68-75	Lifud/eaglerise	Φ85*52	15/25/38/60°
8W	Bridgelux	< 3	≥90	2700/3000/ 4000/5000K	AC220-240v	Φ68-75	Lifud/eaglerise	Φ85*52	15/25/38/60°
10W	Bridgelux	< 3	≥90	2700/3000/ 4000/5000K	AC220-240v	Φ68-75	Lifud/eaglerise	Φ85*52	15/25/38/60°
12W	Bridgelux	< 3	≥90	2700/3000/ 4000/5000K	AC220-240v	Φ68-75	Lifud/eaglerise	Φ85*52	15/25/38/60°

ES2034

10W	Bridgelux	< 3	≥90	2700/3000/ 4000/5000K	AC220-240v	Φ80-85	Lifud/eaglerise	Φ95*55	15/25/38/60°
12W	Bridgelux	< 3	≥90	2700/3000/ 4000/5000K	AC220-240v	Φ80-85	Lifud/eaglerise	Φ95*55	15/25/38/60°





Spyder

ES2018 ES2019 ES2032 ES2038

Specification

Wattage	LED Source	SDCM	CRI	CCT	Input Voltage	Cut out	Driver	Size	Beam Angle
---------	------------	------	-----	-----	---------------	---------	--------	------	------------

ES2018 ES2019

6W	Bridgelux	< 3	≥90	2700/3000/ 4000/5000K	AC220-240v	Φ60	Lifud/eaglerise	Φ68*48	20/40/60°
8W	Bridgelux	< 3	≥90	2700/3000/ 4000/5000K	AC220-240v	Φ60	Lifud/eaglerise	Φ68*48	20/40/60°
10W	Bridgelux	< 3	≥90	2700/3000/ 4000/5000K	AC220-240v	Φ60	Lifud/eaglerise	Φ68*58	20/40/60°
12W	Bridgelux	< 3	≥90	2700/3000/ 4000/5000K	AC220-240v	Φ60	Lifud/eaglerise	Φ68*58	20/40/60°

ES2032

6W	Bridgelux	< 3	≥90	2700/3000/ 4000/5000K	AC220-240v	Φ68-75	Lifud/eaglerise	Φ85*52	15/25/38/60°
8W	Bridgelux	< 3	≥90	2700/3000/ 4000/5000K	AC220-240v	Φ68-75	Lifud/eaglerise	Φ85*52	15/25/38/60°
10W	Bridgelux	< 3	≥90	2700/3000/ 4000/5000K	AC220-240v	Φ68-75	Lifud/eaglerise	Φ85*52	15/25/38/60°
12W	Bridgelux	< 3	≥90	2700/3000/ 4000/5000K	AC220-240v	Φ68-75	Lifud/eaglerise	Φ85*52	15/25/38/60°

ES2038

10W	Bridgelux	< 3	≥90	2700/3000/ 4000/5000K	AC220-240v	Φ80-85	Lifud/eaglerise	Φ95*55	15/25/38/60°
12W	Bridgelux	< 3	≥90	2700/3000/ 4000/5000K	AC220-240v	Φ80-85	Lifud/eaglerise	Φ95*55	15/25/38/60°





Spyder

ES2020 ES2021 ES2030 ES2036

Specification

Wattage	LED Source	SDCM	CRI	CCT	Input Voltage	Cut out	Driver	Size	Beam Angle
---------	------------	------	-----	-----	---------------	---------	--------	------	------------

ES2020 ES2021

6W	Bridgelux	< 3	≥90	2700/3000/4000/5000K	AC220-240v	Φ60	Lifud/eaglerise	Φ68*48	20/40/60°
8W	Bridgelux	< 3	≥90	2700/3000/4000/5000K	AC220-240v	Φ60	Lifud/eaglerise	Φ68*48	20/40/60°
10W	Bridgelux	< 3	≥90	2700/3000/4000/5000K	AC220-240v	Φ60	Lifud/eaglerise	Φ68*58	20/40/60°
12W	Bridgelux	< 3	≥90	2700/3000/4000/5000K	AC220-240v	Φ60	Lifud/eaglerise	Φ68*58	20/40/60°

ES2030

6W	Bridgelux	< 3	≥90	2700/3000/4000/5000K	AC220-240v	Φ68-75	Lifud/eaglerise	Φ85*52	15/25/38/60°
8W	Bridgelux	< 3	≥90	2700/3000/4000/5000K	AC220-240v	Φ68-75	Lifud/eaglerise	Φ85*52	15/25/38/60°
10W	Bridgelux	< 3	≥90	2700/3000/4000/5000K	AC220-240v	Φ68-75	Lifud/eaglerise	Φ85*52	15/25/38/60°
12W	Bridgelux	< 3	≥90	2700/3000/4000/5000K	AC220-240v	Φ68-75	Lifud/eaglerise	Φ85*52	15/25/38/60°

ES2036

10W	Bridgelux	< 3	≥90	2700/3000/4000/5000K	AC220-240v	Φ80-85	Lifud/eaglerise	Φ95*55	15/25/38/60°
12W	Bridgelux	< 3	≥90	2700/3000/4000/5000K	AC220-240v	Φ80-85	Lifud/eaglerise	Φ95*55	15/25/38/60°





Spyder

ES2040 ES2041

Specification

Wattage	LED Source	SDEM	CRI	CCT	Input Voltage	Cut out	Driver	Size	Beam Angle
10W	Bridgelux	<3	≥90	2700/3000/ 4000/5000K	AC220-240v	Φ75	Lifud/eaglerise	Φ85*67	15/25/38/60°
12W	Bridgelux	<3	≥90	2700/3000/ 4000/5000K	AC220-240v	Φ75	Lifud/eaglerise	Φ85*67	15/25/38/60°
10W	Bridgelux	<3	≥90	2700/3000/ 4000/5000K	AC220-240v	Φ75	Lifud/eaglerise	Φ85*67	15/25/40°
12W	Bridgelux	<3	≥90	2700/3000/ 4000/5000K	AC220-240v	Φ75	Lifud/eaglerise	Φ85*67	15/25/40°

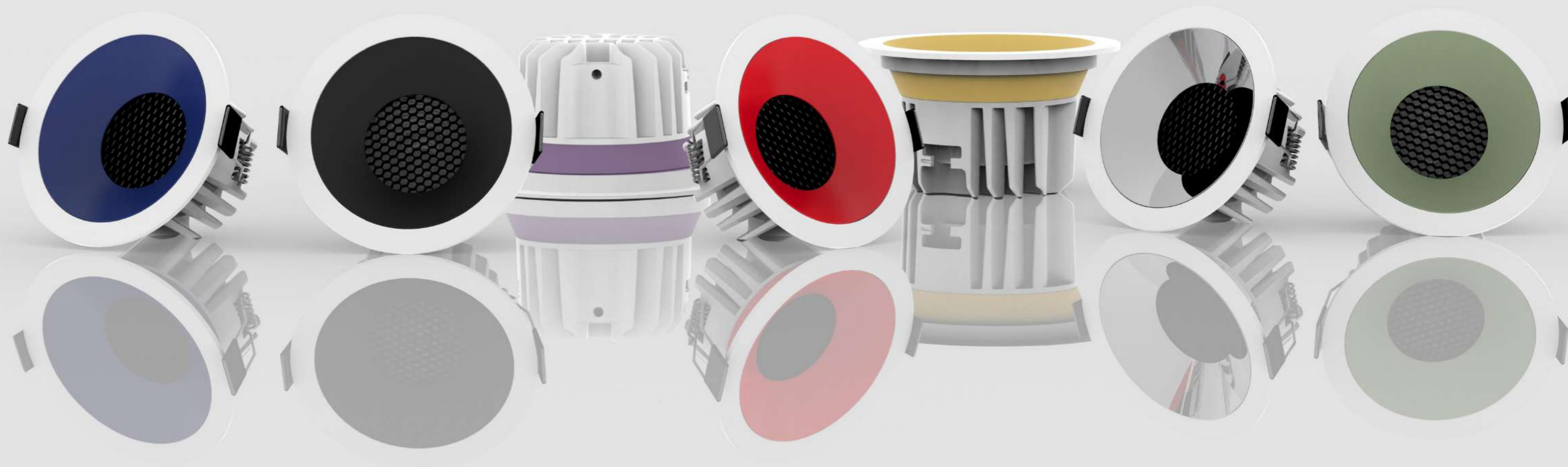
- Excellent colour rendering of CRI Ra 90-97 80lm/W
- For new buildings and renovation projects
- Dimmable (TED) driver included
- No installation box required (TED)
- Suitable for outdoor installation*
- Quick connection box with Loop-in / Loop-Out





A variety of color reflective cup options







Each color represents a style

Colorful commercial spotlights not only provide striking lighting for stores and exhibitions, but also convey the brand's diversity and innovative spirit.



Our range of commercial spotlights covers a wide range of colour options, from soft warm tones to vibrant cool tones to suit different occasions and atmospheres.

Spyder

ES5051 ES5052

Specification

Wattage	LED Source	SDCM	CRI	CCT	Input Voltage	Cut out	Driver	Size	Beam Angle
---------	------------	------	-----	-----	---------------	---------	--------	------	------------

ES5051 ES5052

8W	Bridgelux	<3	≥90	2700/3000/4000/5000K	AC220-240v	Φ60	Lifud/eaglerise	Φ68*44	15/25/38/60°
10W	Bridgelux	<3	≥90	2700/3000/4000/5000K	AC220-240v	Φ60	Lifud/eaglerise	Φ68*44	15/25/38/60°
12W	Bridgelux	<3	≥90	2700/3000/4000/5000K	AC220-240v	Φ60	Lifud/eaglerise	Φ68*44	15/25/38/60°

8W	Bridgelux	<3	≥90	2700/3000/4000/5000K	AC220-240v	Φ80-85	Lifud/eaglerise	Φ95*53	15/25/38/60°
10W	Bridgelux	<3	≥90	2700/3000/4000/5000K	AC220-240v	Φ80-85	Lifud/eaglerise	Φ95*53	15/25/38/60°
12W	Bridgelux	<3	≥90	2700/3000/4000/5000K	AC220-240v	Φ80-85	Lifud/eaglerise	Φ95*53	15/25/38/60°



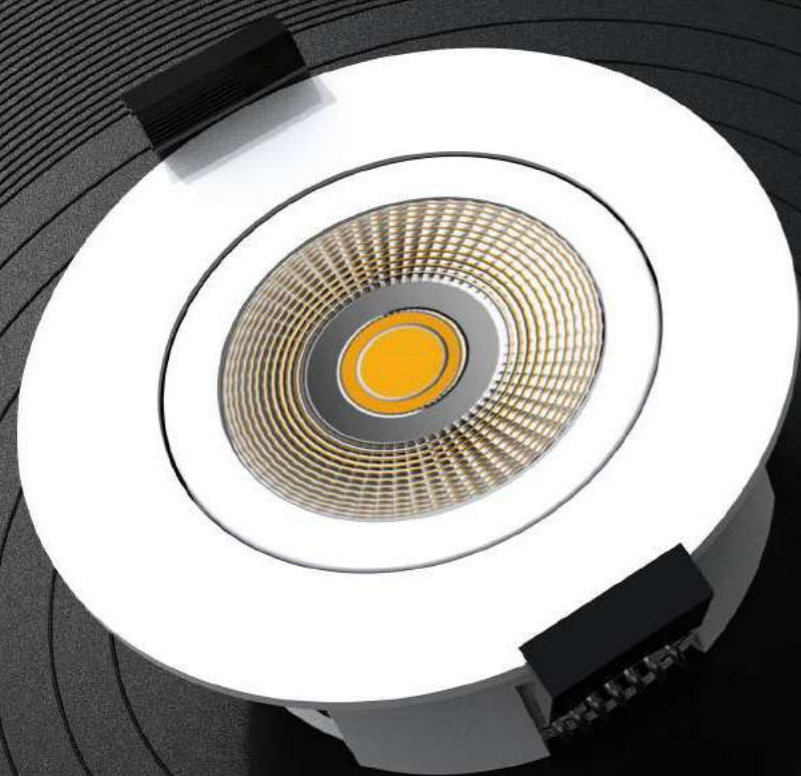
360° ROTATABLE SPOTLIGHT

IP65

Quick
Install

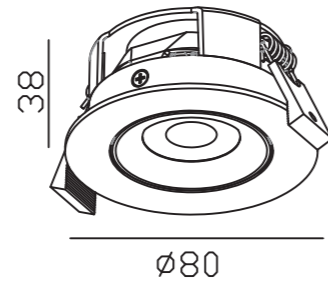
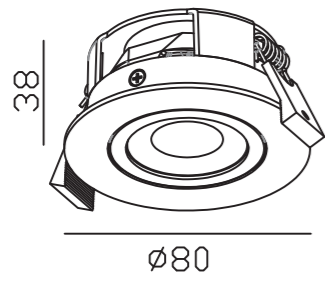
CCT
Selectable

360°



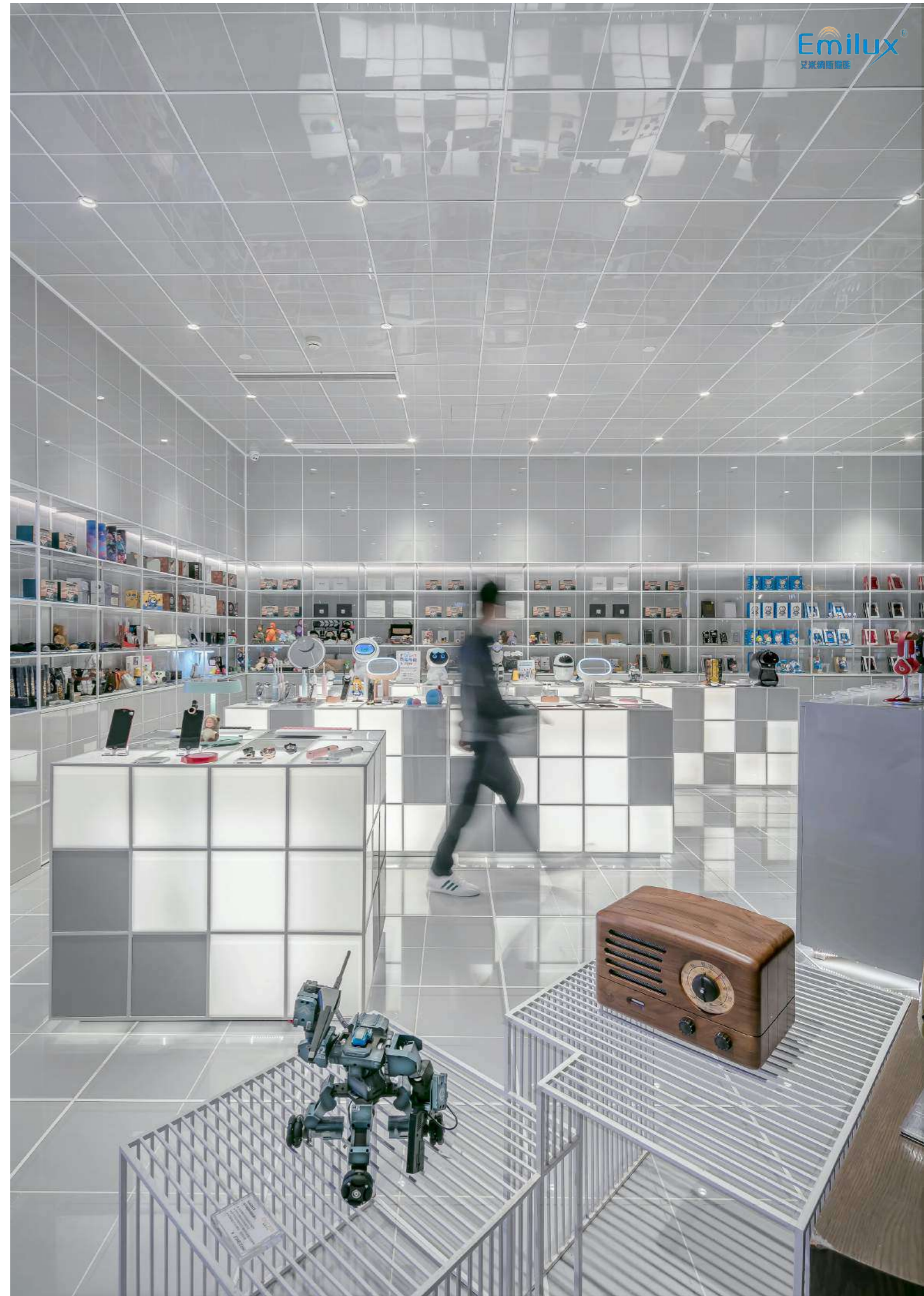
Ecco Series

ES2000



Specification

attage	LED Source	SDCM	CRI	CCT	Input Voltage	Cut out	Driver	Size	Beam Angle
6W	Bridgelux	< 3	≥90	3000/4000/5000K	AC220-240v	Φ68	Lifud/eaglerise	80*38	15/24/36/55°
6W	Bridgelux	< 3	≥90	3000/4000/5000K	AC220-240v	Φ68	Lifud/eaglerise	80*38	15/24/36/55°

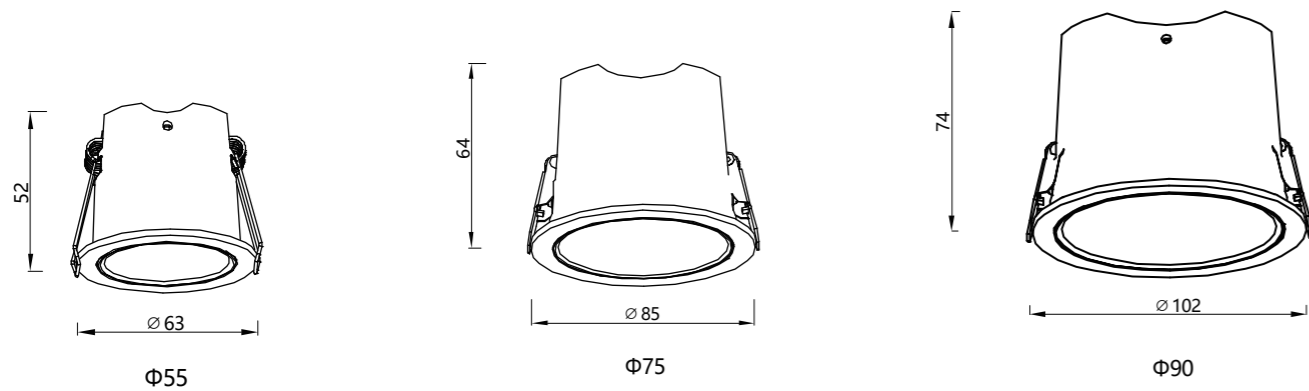






Urus

ES2075 ES2076 ES2077



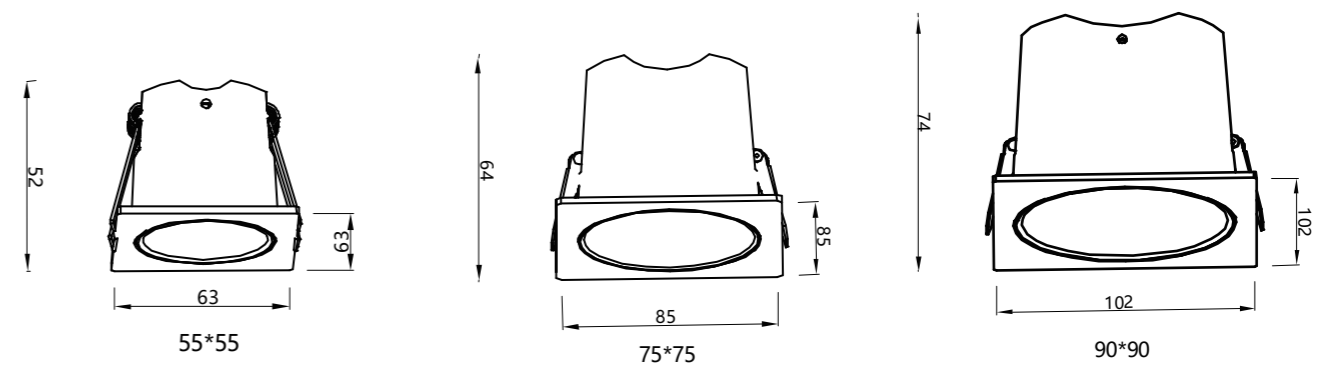
Specification

Wattage	LED Source	UGR	CRI	CCT	Input Voltage	Cut out	Driver	Size	Beam Angle
7W	Bridgelux	<10	≥90	2700/3000/4000/5000K	AC220-240v	$\Phi 55$	Lifud/eaglerise	63*52mm	15°/24°/36°/55°
10W	Bridgelux	<10	≥90	2700/3000/4000/5000K	AC220-240v	$\Phi 75$	Lifud/eaglerise	85*64mm	15°/24°/36°/55°
18W	Bridgelux	<10	≥90	2700/3000/4000/5000K	AC220-240v	$\Phi 95$	Lifud/eaglerise	102*74mm	15°/24°/36°/55°



Urus

ES2078 ES2079 ES2080



Specification

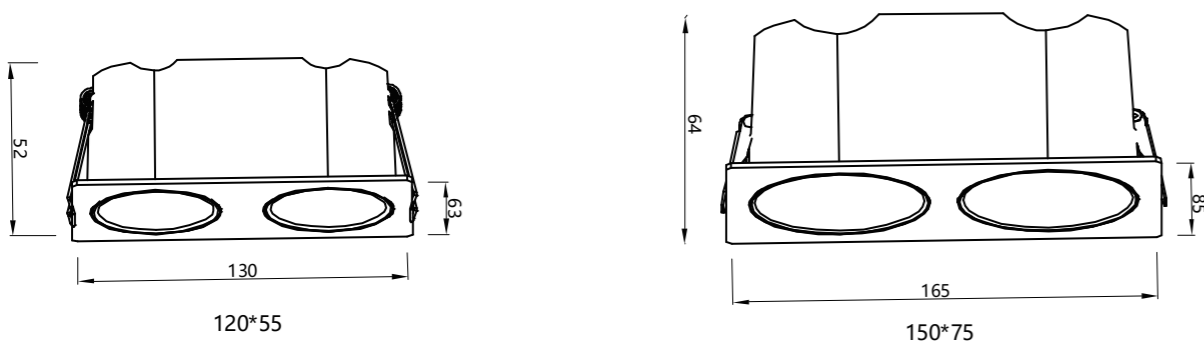
Wattage	LED Source	UGR	CRI	CCT	Input Voltage	Cut out	Driver	Size	Beam Angle
7W	Bridgelux	<10	≥90	2700/3000/4000/5000K	AC220-240v	$\Phi 55$	Lifud/eaglerise	63*63*52mm	15°/24°/36°/55°
10W	Bridgelux	<10	≥90	2700/3000/4000/5000K	AC220-240v	$\Phi 75$	Lifud/eaglerise	85*85*64mm	15°/24°/36°/55°
18W	Bridgelux	<10	≥90	2700/3000/4000/5000K	AC220-240v	$\Phi 95$	Lifud/eaglerise	102*102*74mm	15°/24°/36°/55°





Urus

ES2081 ES2082 ES2083



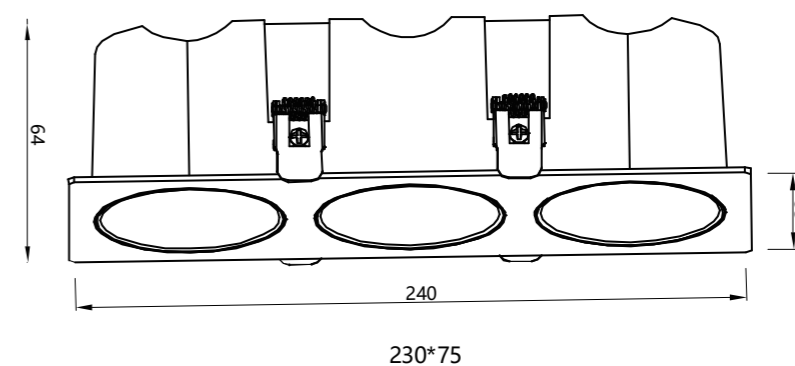
Specification

Wattage	LED Source	UGR	CRI	CCT	Input Voltage	Cut out	Driver	Size	Beam Angle
2*6W	Bridgelux	<10	≥90	2700/3000/4000/5000K	AC220-240v	55*120	Lifud/eaglerise	52*63*130	15°/24°/36°/55°
2*10W	Bridgelux	<10	≥90	2700/3000/4000/5000K	AC220-240v	75*150	Lifud/eaglerise	64*85*165	15°/24°/36°/55°
2*15W	Bridgelux	<10	≥90	2700/3000/4000/5000K	AC220-240v	90*205	Lifud/eaglerise	74*102*220	15°/24°/36°/55°



Urus

ES2084 ES2085



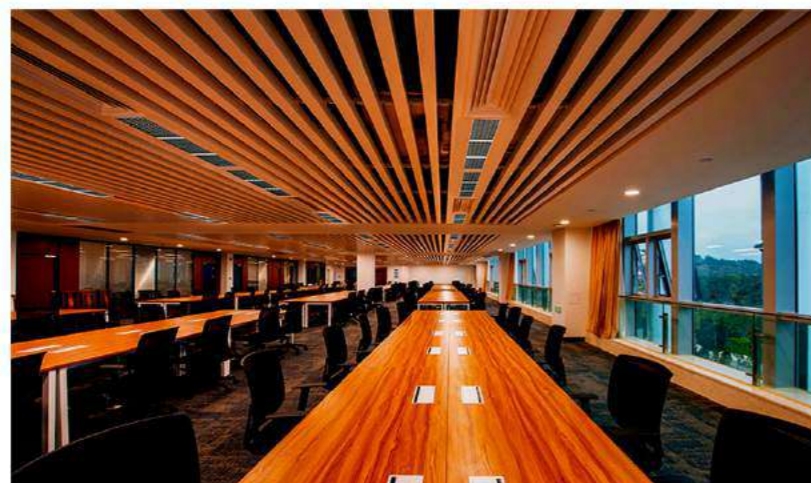
Specification

Wattage	LED Source	UGR	CRI	CCT	Input Voltage	Cut out	Driver	Size	Beam Angle
3*6W	Bridgelux	<10	≥90	2700/3000/4000/5000K	AC220-240v	55*175	Lifud/eaglerise	52*63*185	15°/24°/36°/55°
3*10W	Bridgelux	<10	≥90	2700/3000/4000/5000K	AC220-240v	75*230	Lifud/eaglerise	64*85*240	15°/24°/36°/55°



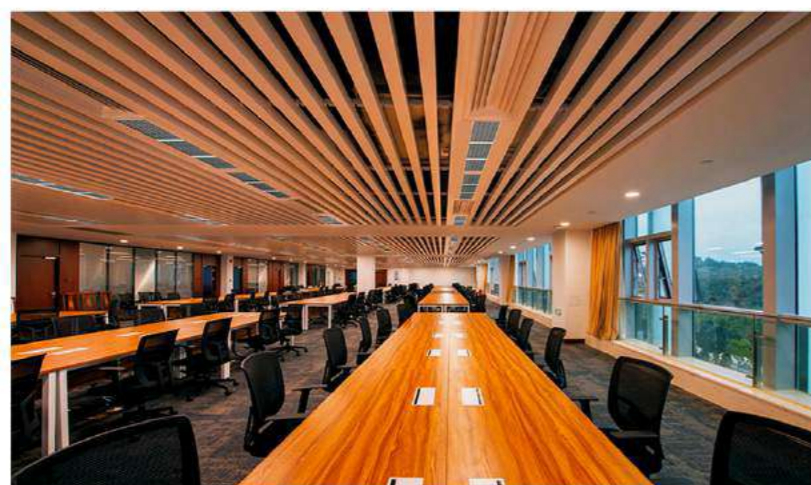
DIM-TO-WARM TECHNOLOGY REVIEW

Bright, crisp and clear lighting is usually desired but not all the time, particularly at a certain locations where different light levels are required accordingly based on different color temperatures. It's known that normal LED light fixture keep their color temperatures unchanged when it's dimmed, so some lighting designers usually go with incandescent and halogen lights that support smooth and natural dimming from white color to a warmer color. However, such move is also taken by compromising the energy use and operating



10% Intensity

1800K



50% Intensity

2500K

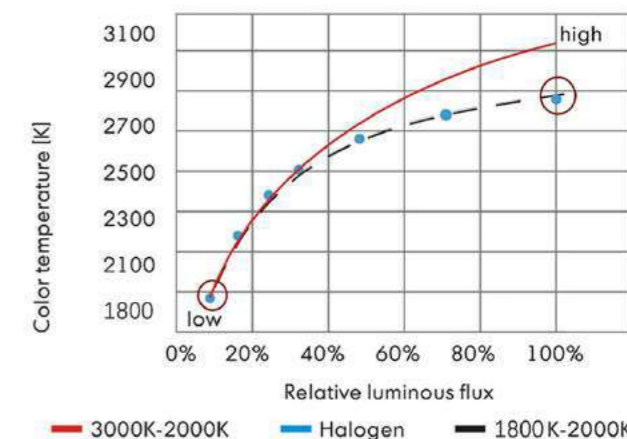


100% Intensity

3000K

PARAMETERS

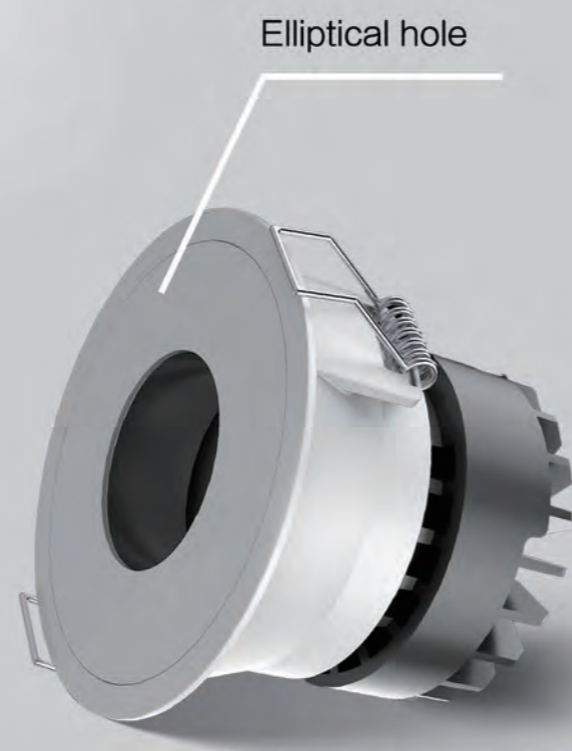
Photo	Name	Model	Power	CCT	Size	Cutout	Color	Beam angel
	Dim to warm LED light	EM55-Round	5-7W	1800-3000K	63*H52	55	White	15° 24° 38° 55° 80
	Dim to warm LED light	EM55-Square	5-7W	1800-3000K	63*63*52	55*55	White	15° 24° 38° 55° 80
	Dim to warm LED light	EM55-Square Two-heads	(5-7W)*2	1800-3000K	130*63*52	120*55	White	15° 24° 38° 55° 80
	Dim to warm LED light	EM55-Square Three-heads	(5-7W)*3	1800-3000K	185*63*52	175*55	White	15° 24° 38° 55° 80



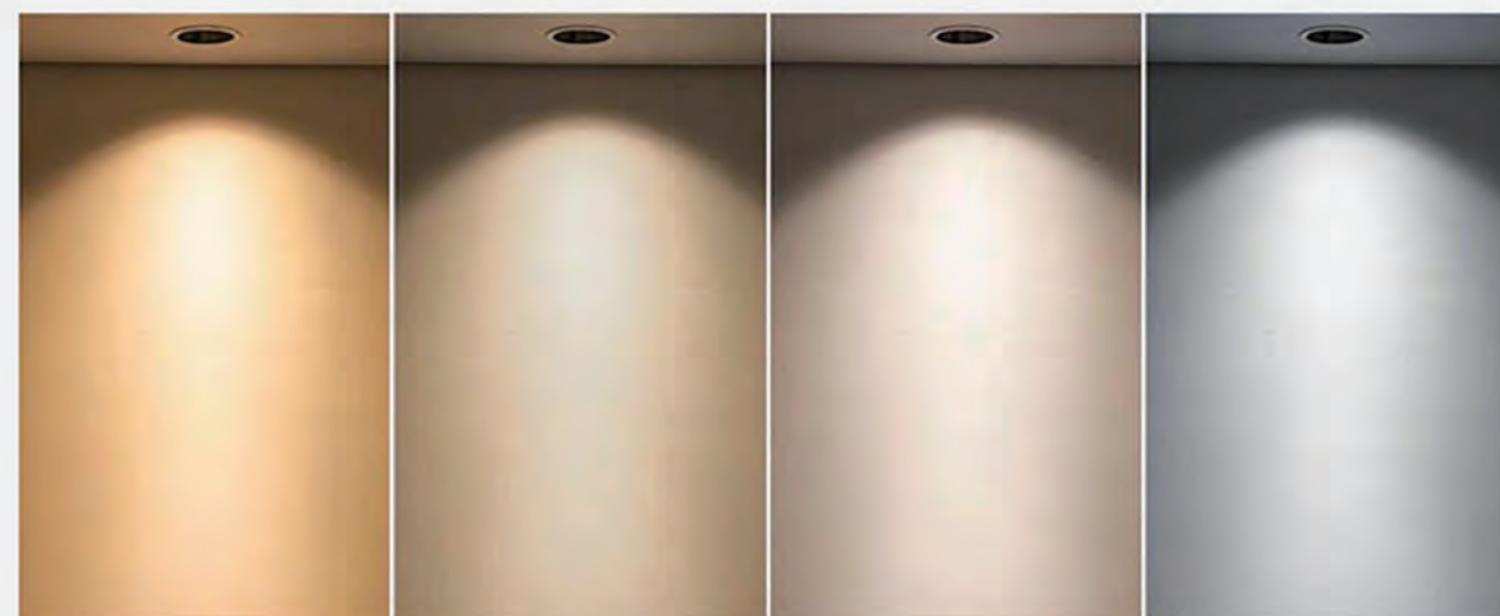
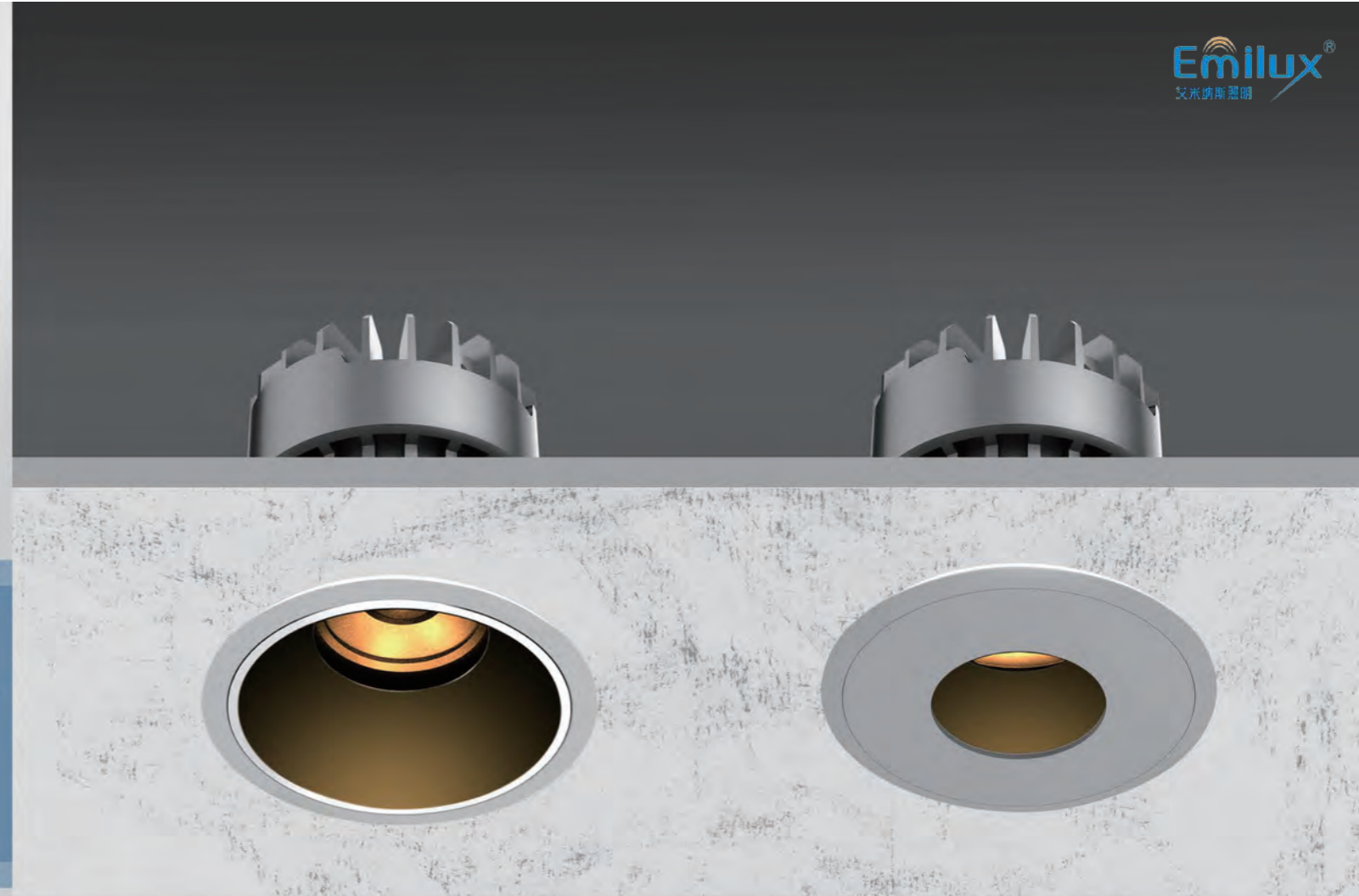
COB Anti Dizziness Down Light

- Double anti dazzle

- Deep tube optical hidden light design increases the distance between the light source and the luminous port, and effectively absorbs light



- Matching with anti glare cup and eye protection lens, it is healthy and eye protective



Warm
3000K

Warm white
3500K

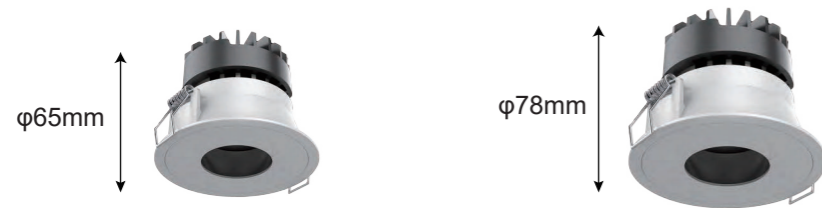
Neutral
4000K

White
5000K



ROMA Seiries

ES2086 ES2087



Specification

Wattage	LED Source	UGR	CRI	CCT	Input Voltage	Cut out	Driver	Size	Beam Angle
7W	CREE	<10	≥90	3000/4000/5700K	AC220-240v	Φ75	Lifud/eaglerise	83*65mm	15/24/36/55°
10W	CREE	<10	≥90	3000/4000/5700K	AC220-240v	Φ75	Lifud/eaglerise	83*78mm	15/24/36/55°



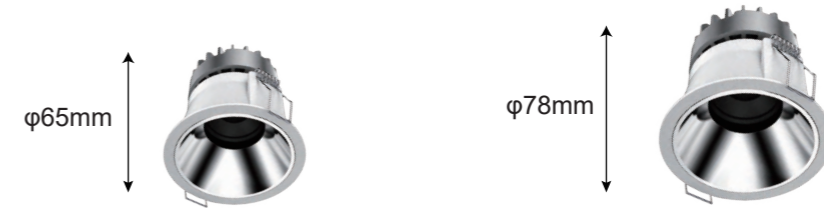
Waterproof: IP40

Beam angle: 15° /24° /36° /55°



ROMA Seiries

ES2086 ES2087



Specification

Wattage	LED Source	UGR	CRI	CCT	Input Voltage	Cut out	Driver	Size	Beam Angle
7W	CREE	<10	≥90	3000/4000/5700K	AC220-240v	Φ75	Lifud/eaglerise	83*65mm	15/24/36/55°
10W	CREE	<10	≥90	3000/4000/5700K	AC220-240v	Φ75	Lifud/eaglerise	83*78mm	15/24/36/55°



Waterproof: IP40

Beam angle: 15° /24° /36° /55°





Dawn Series

Wattage: 5W/7W/10W

Cut out: Φ 55/ Φ 65/ Φ 75

Beam Angle: 15D/24D/36D





ROMA Seiries

ES2086 ES2087

Specification

Wattage	LED Source	UGR	CRI	CCT	Input Voltage	Cut out	Driver	Size	Beam Angle
5W	CREE	<10	≥90	3000/4000/5000K	AC220-240v	Φ55	Lifud/eaglerise	60*37mm	15/24/36/55°
7W	CREE	<10	≥90	3000/4000/5000K	AC220-240v	Φ65	Lifud/eaglerise	70*45mm	15/24/36/55°
10W	CREE	<10	≥90	3000/4000/5000K	AC220-240v	Φ75	Lifud/eaglerise	80*45mm	15/24/36/55°



Waterproof: IP40

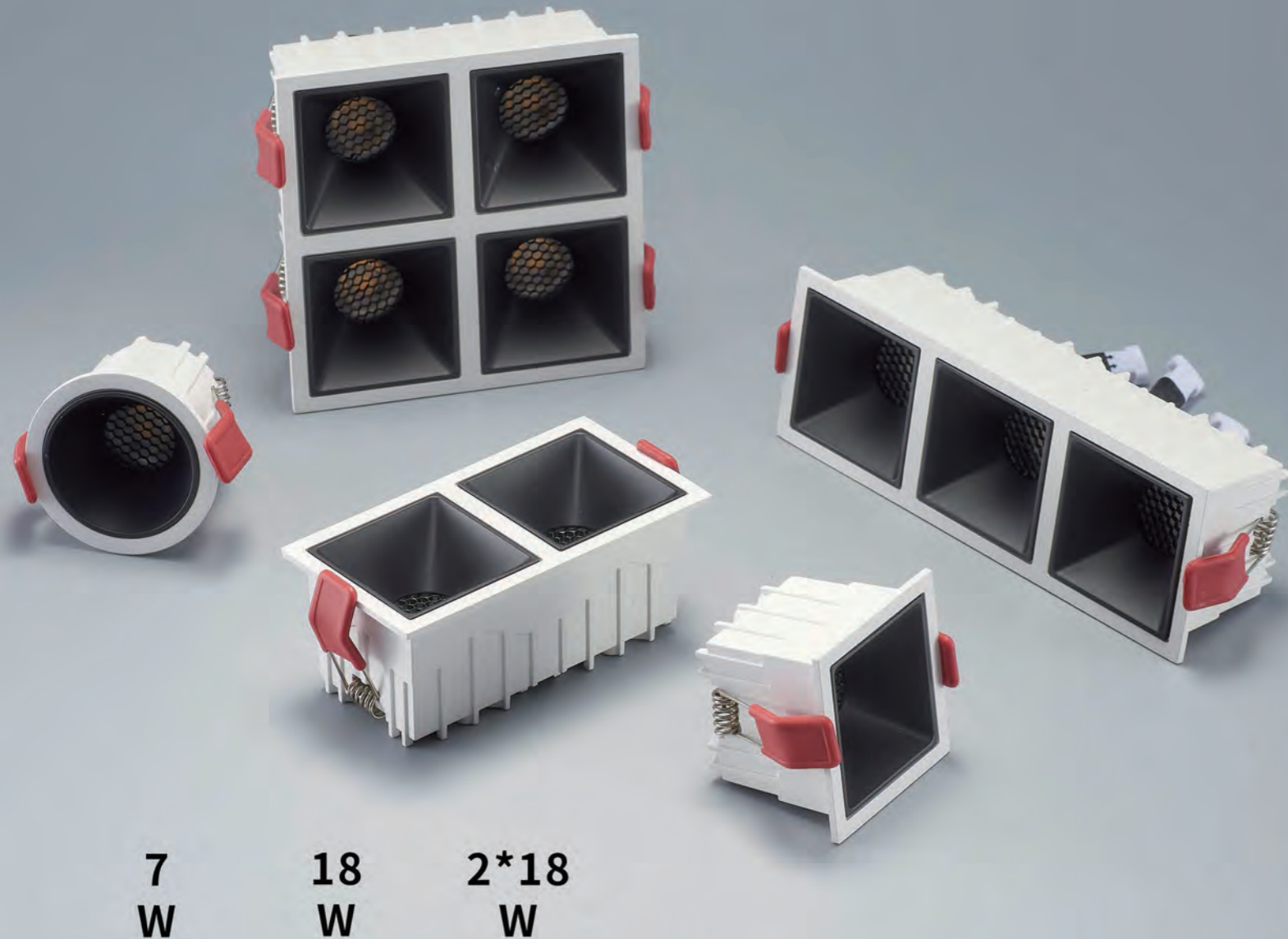
Beam angle: 15° /24° /36° /55°

Reflector cover:



Optional:





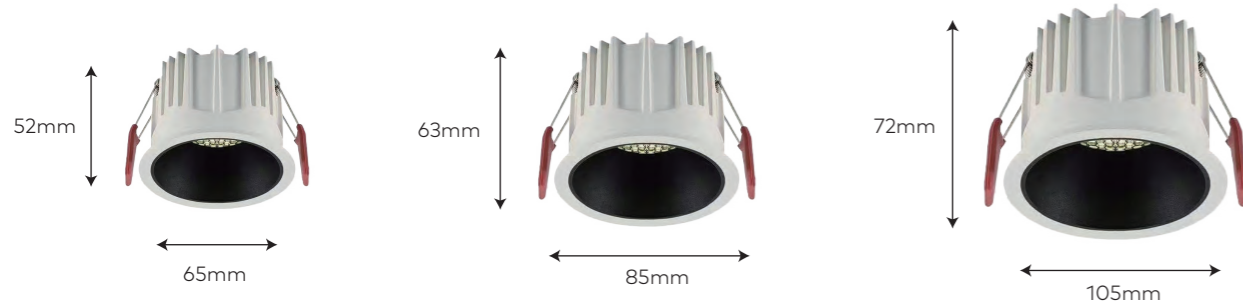
Recessed Spot Lights

- Honeycomb anti-glare
- CRI 93 Rich color lighting
- Deep light source anti glare design
- Humanized heat dissipation with good heat dissipation performance



Virage Series

ES2100 ES2105 ES2110



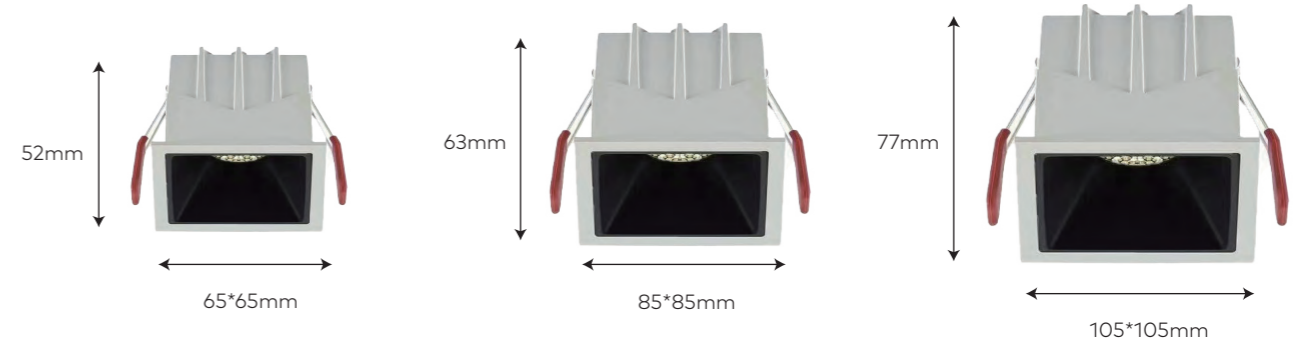
Specification

Wattage	LED Source	UGR	CRI	CCT	Input Voltage	Cut out	Driver	Size	Beam Angle
7W	Bridgelux	<10	≥90	3000/4000/5000K	AC220-240v	Φ55	Lifud/eaglerise	52*55	15/24/36/55°
12W	Bridgelux	<10	≥90	3000/4000/5000K	AC220-240v	Φ75	Lifud/eaglerise	85*63	15/24/36/55°
20W	Bridgelux	<10	≥90	3000/4000/5000K	AC220-240v	Φ95	Lifud/eaglerise	105*77	15/24/36/55°



Virage Series

ES2101 ES2106 ES2111



Specification

Wattage	LED Source	UGR	CRI	CCT	Input Voltage	Cut out	Driver	Size	Beam Angle
7W	Bridgelux	<10	≥90	3000/4000/5700K	AC220-240v	Φ55*55	Lifud/eaglerise	52*65*65	15/24/36/55°
12W	Bridgelux	<10	≥90	3000/4000/5700K	AC220-240v	Φ75*75	Lifud/eaglerise	63*85*85	15/24/36/55°
20W	Bridgelux	<10	≥90	3000/4000/5700K	AC220-240v	Φ95*95	Lifud/eaglerise	77*105*105	15/24/36/55°





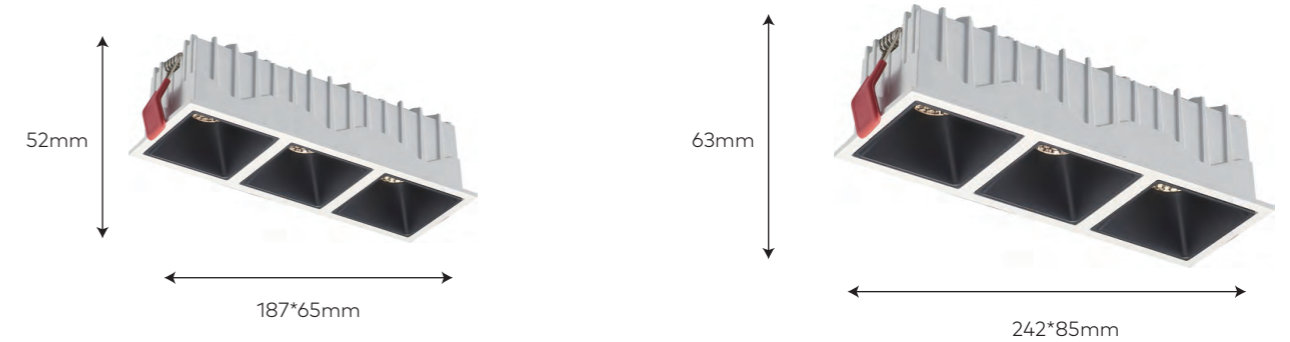
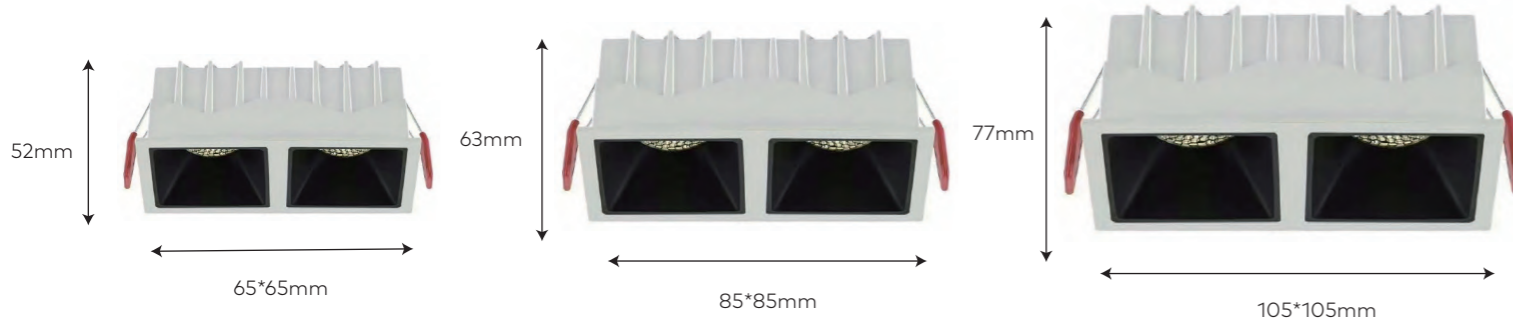
Virage Series

ES2102 ES2107 ES2112



Virage Series

ES2103 ES2108



Specification

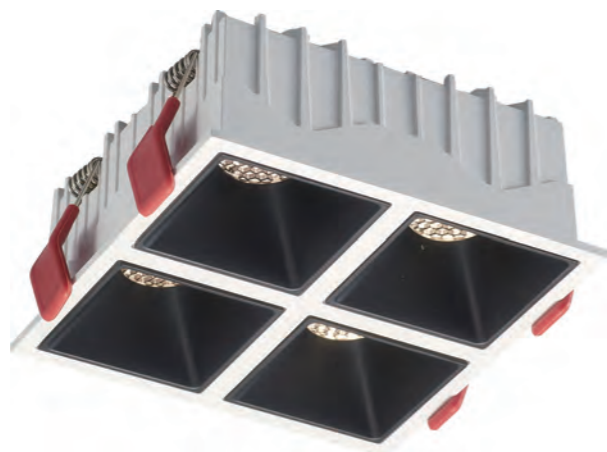
Wattage	LED Source	UGR	CRI	CCT	Input Voltage	Cut out	Driver	Size	Beam Angle
2*7W	Bridgelux	<10	≥90	3000/4000/5700K	AC220-240v	Φ55*115	Lifud/eaglerise	65*125*52	15/24/36/55°
2*12W	Bridgelux	<10	≥90	3000/4000/5700K	AC220-240v	Φ75*160	Lifud/eaglerise	85*167*63	15/24/36/55°
2*20W	Bridgelux	<10	≥90	3000/4000/5700K	AC220-240v	Φ95*195	Lifud/eaglerise	105*208*77	15/24/36/55°



Specification

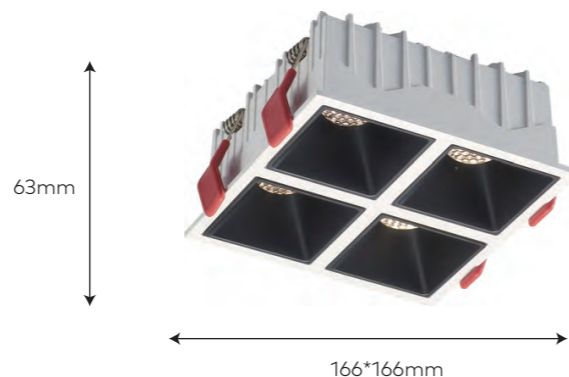
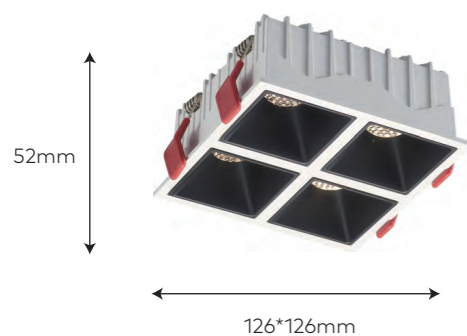
Wattage	LED Source	UGR	CRI	CCT	Input Voltage	Cut out	Driver	Size	Beam Angle
3*7W	Bridgelux	<10	≥90	3000/4000/5700K	AC220-240v	Φ55*175	Lifud/eaglerise	52*187*65	15/24/36/55°
3*12W	Bridgelux	<10	≥90	3000/4000/5700K	AC220-240v	Φ75*235	Lifud/eaglerise	63*242*85	15/24/36/55°





Virage Series

ES2104 ES2109



Specification

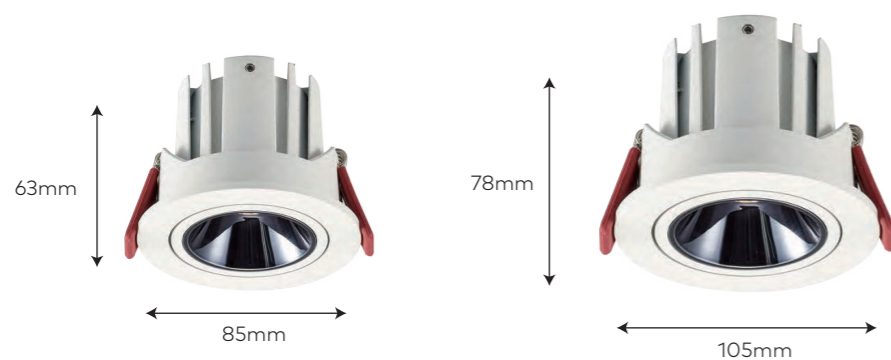
Wattage	LED Source	UGR	CRI	CCT	Input Voltage	Cut out	Driver	Size	Beam Angle
4*7W	Bridgelux	< 10	≥90	3000/4000/ 5700K	AC220-240v	Φ115*115	Lifud/eaglerise	52*126*126	15/24/36/55°
4*12W	Bridgelux	< 10	≥90	3000/4000/ 5700K	AC220-240v	Φ155*155	Lifud/eaglerise	63*166*166	15/24/36/55°





Virage Series

ES2113 ES2114 ES2120



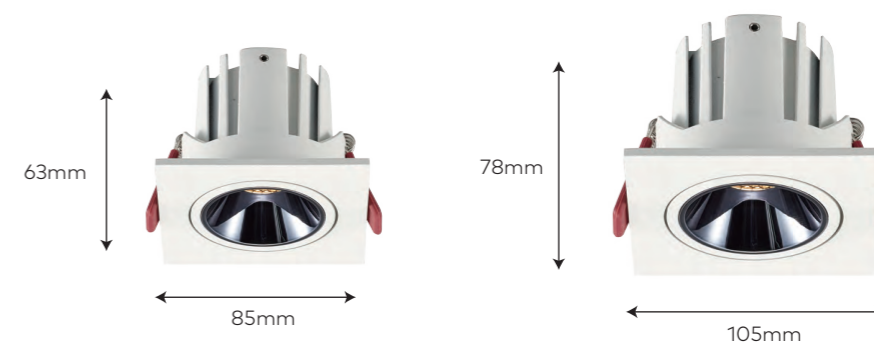
Specification

Wattage	LED Source	UGR	CRI	CCT	Input Voltage	Cut out	Driver	Size	Beam Angle
7W	Bridgelux	<10	≥90	3000/4000/5000K	AC220-240v	Φ55	Lifud/eaglerise	52*65	15/24/36/55°
10W	Bridgelux	<10	≥90	3000/4000/5000K	AC220-240v	Φ75	Lifud/eaglerise	85*63	15/24/36/55°
18W	Bridgelux	<10	≥90	3000/4000/5000K	AC220-240v	Φ95	Lifud/eaglerise	105*72	15/24/36/55°



Virage Series

ES2115 ES2116 ES2121



Specification

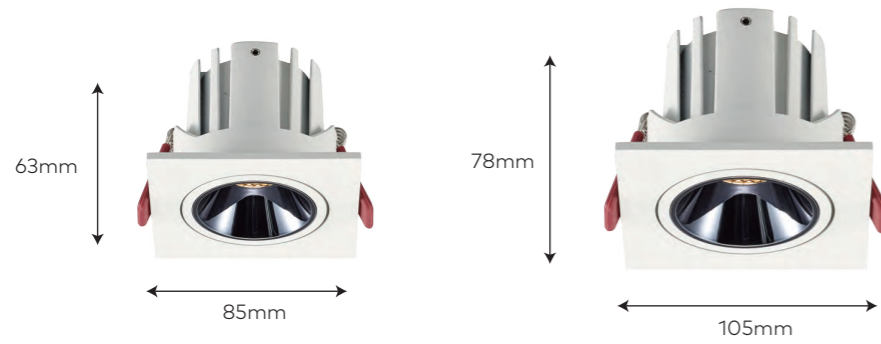
Wattage	LED Source	UGR	CRI	CCT	Input Voltage	Cut out	Driver	Size	Beam Angle
7W	Bridgelux	<10	≥90	3000/4000/5000K	AC220-240v	Φ55	Lifud/eaglerise	52*65	15/24/36/55°
10W	Bridgelux	<10	≥90	3000/4000/5000K	AC220-240v	Φ75	Lifud/eaglerise	85*63	15/24/36/55°
18W	Bridgelux	<10	≥90	3000/4000/5000K	AC220-240v	Φ95	Lifud/eaglerise	105*72	15/24/36/55°





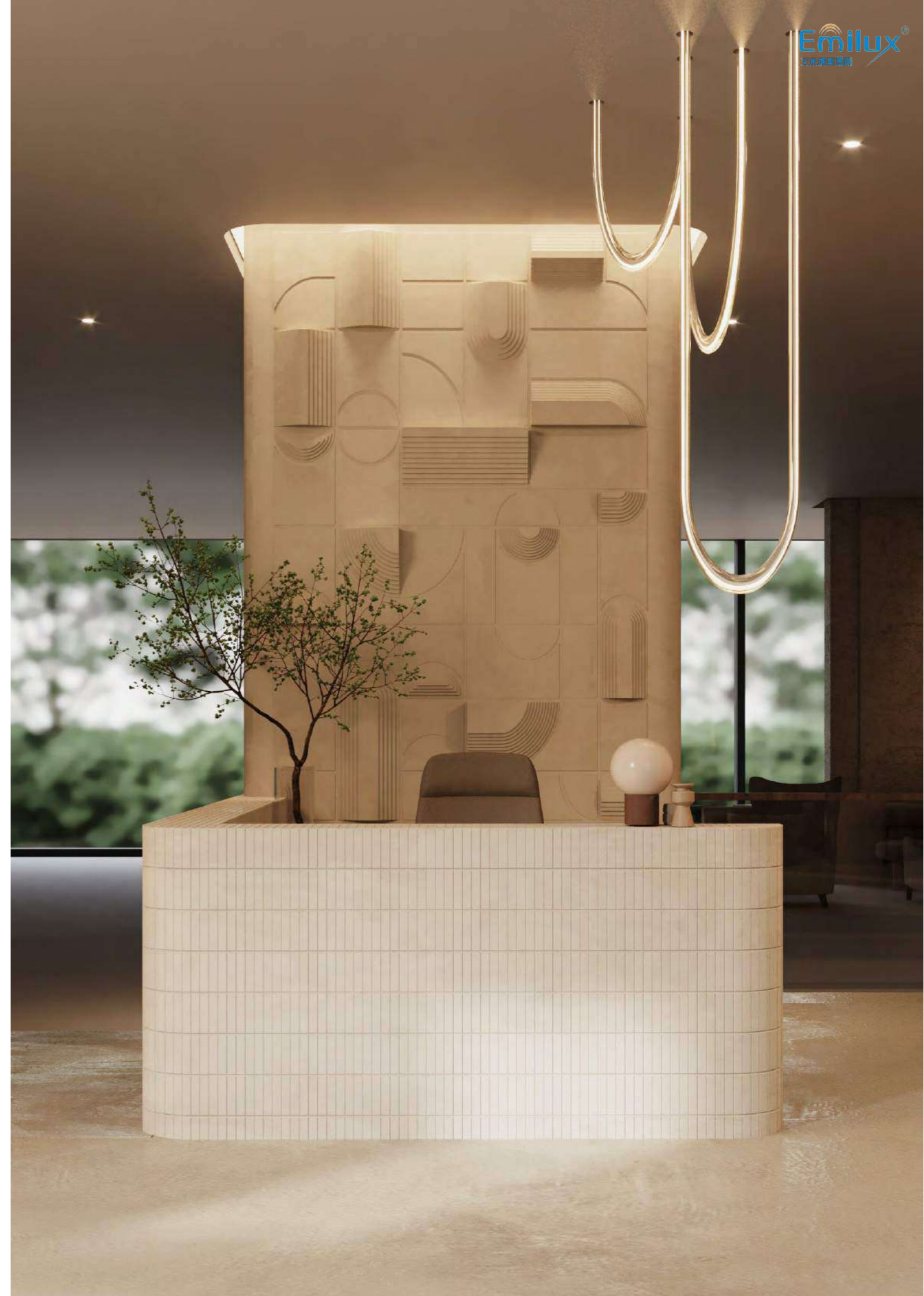
Virage Series

ES2117 ES2118 ES2122



Specification

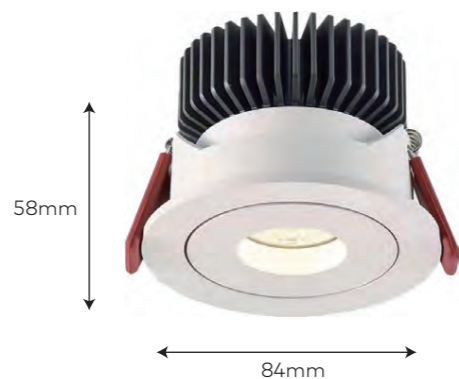
Wattage	LED Source	UGR	CRI	CCT	Input Voltage	Cut out	Driver	Size	Beam Angle
7W	Bridgelux	<10	≥90	3000/4000/5000K	AC220-240v	Φ55	Lifud/eaglerise	52*65	15/24/36/55°
10W	Bridgelux	<10	≥90	3000/4000/5000K	AC220-240v	Φ75	Lifud/eaglerise	85*63	15/24/36/55°
18W	Bridgelux	<10	≥90	3000/4000/5000K	AC220-240v	Φ95	Lifud/eaglerise	105*72	15/24/36/55°





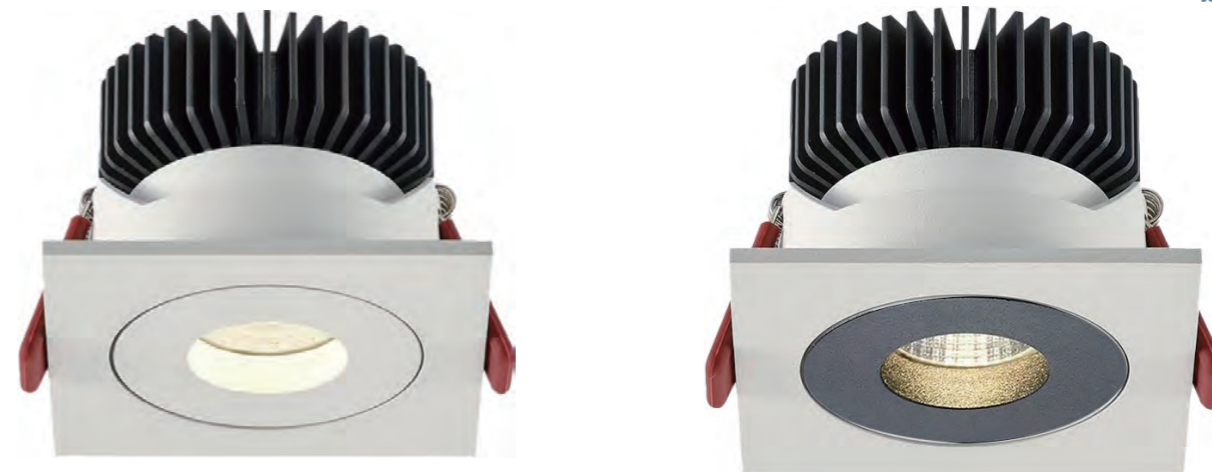
Virage Series

ES2123



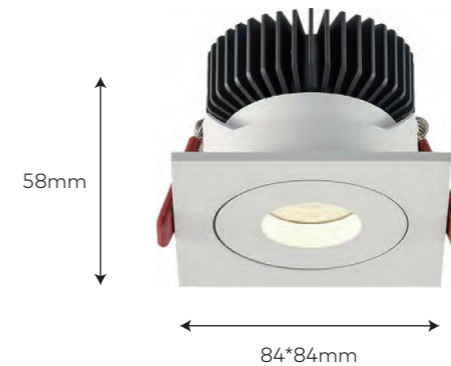
Specification

Wattage	LED Source	UGR	CRI	CCT	Input Voltage	Cut out	Driver	Size	Beam Angle
12W	Bridgelux	<10	≥90	3000/4000/5000K	AC220-240v	Ø75	Lifud/eaglerise	84*58	15/24/36/55°



Virage Series

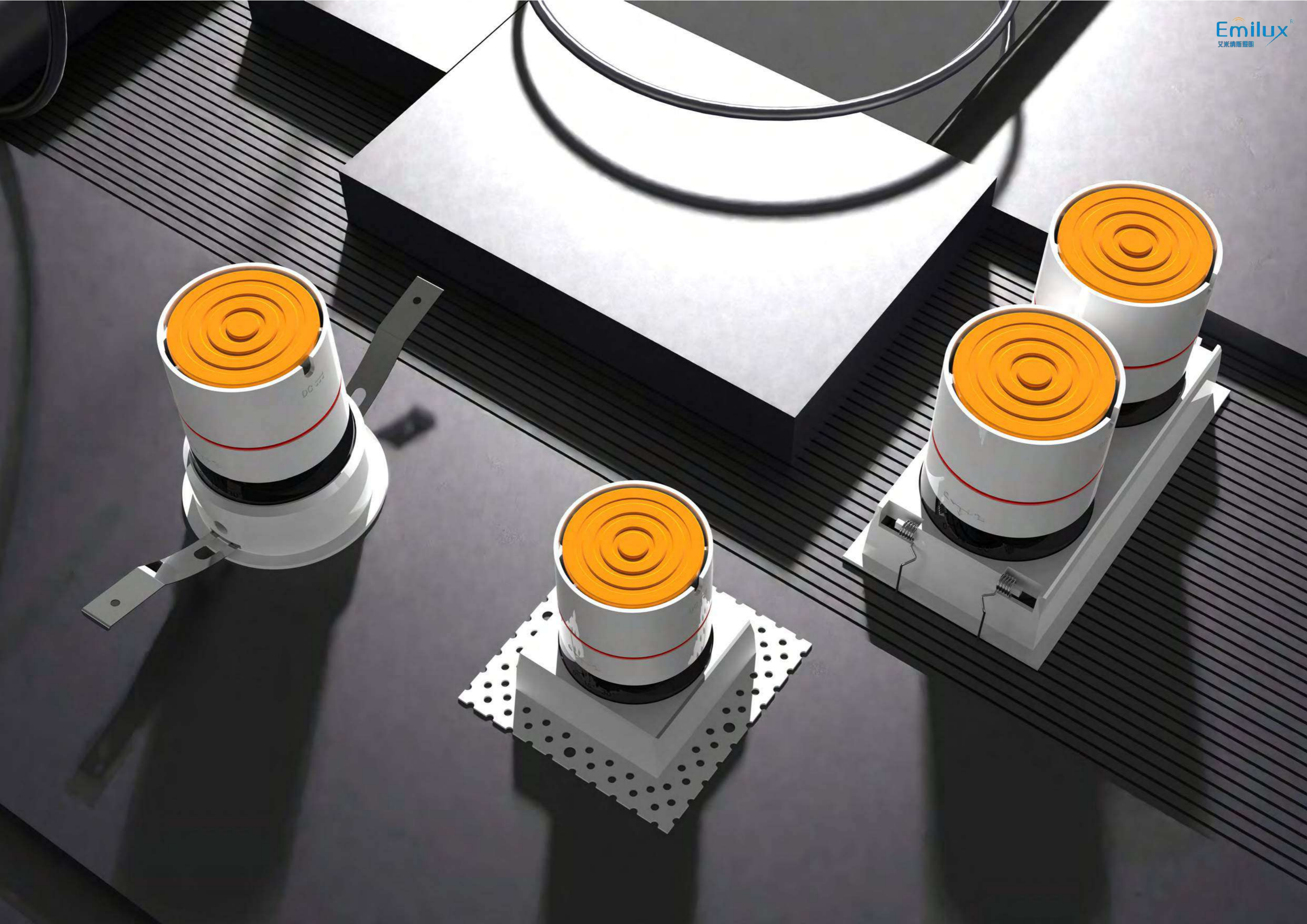
ES2124



Specification

Wattage	LED Source	UGR	CRI	CCT	Input Voltage	Cut out	Driver	Size	Beam Angle
12W	Bridgelux	<10	≥90	3000/4000/5000K	AC220-240v	Ø75*75	Lifud/eaglerise	84*84*58	15/24/36/55°





Multiple reflective cups



Available in 6 colors
Suitable for different decoration
environments

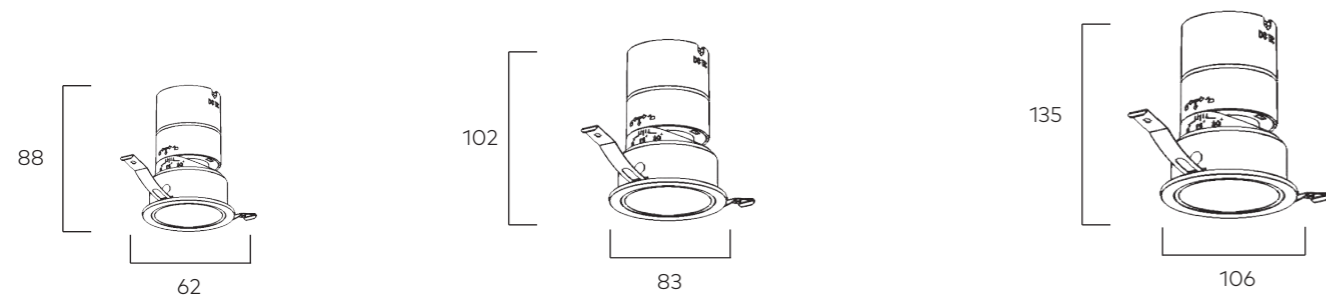
The reflector is precisely designed with
electroplating (anti UV)and nano paint
technology,which is suitable for different
soft decoration environments





Vantage

ES2137 ES2138 ES2139



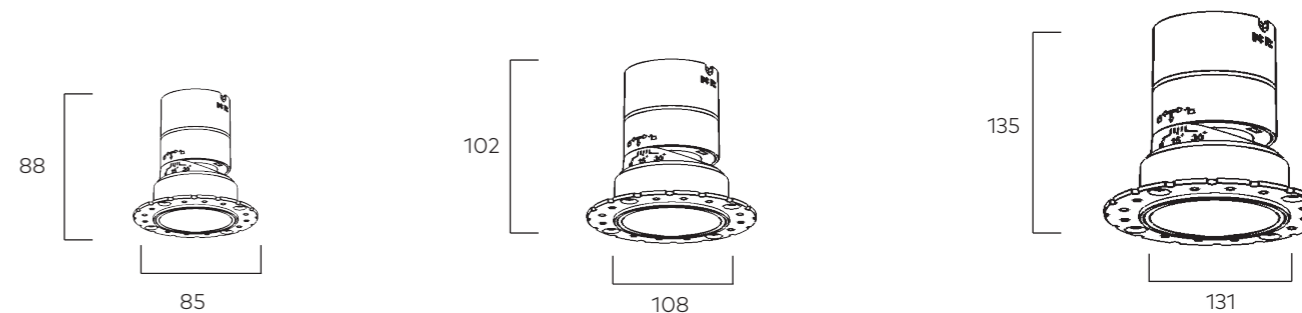
Specification

Wattage	LED Source	UGR	CRI	CCT	Input Voltage	Cut out	Driver	Size	Beam Angle
5W	Bridgelux	< 10	≥90	3000/4000/5700K	AC220-240v	Φ55	Lifud/eaglerise	Φ88*62	15/24/36/55°
8W (Max)	Bridgelux	< 10	≥90	3000/4000/5700K	AC220-240v	Φ55	Lifud/eaglerise	Φ88*62	15/24/36/55°
10W	Bridgelux	< 10	≥90	3000/4000/5700K	AC220-240v	Φ75	Lifud/eaglerise	Φ102*83	15/24/36/55°
15W (Max)	Bridgelux	< 10	≥90	3000/4000/5700K	AC220-240v	Φ75	Lifud/eaglerise	Φ102*83	15/24/36/55°
20W	Bridgelux	< 10	≥90	3000/4000/5700K	AC220-240v	Φ95	Lifud/eaglerise	Φ135*106	15/24/36/55°
24W (Max)	Bridgelux	< 10	≥90	3000/4000/5700K	AC220-240v	Φ95	Lifud/eaglerise	Φ135*106	15/24/36/55°



Vantage

ES2137-1 ES2138-1 ES2139-1



Specification

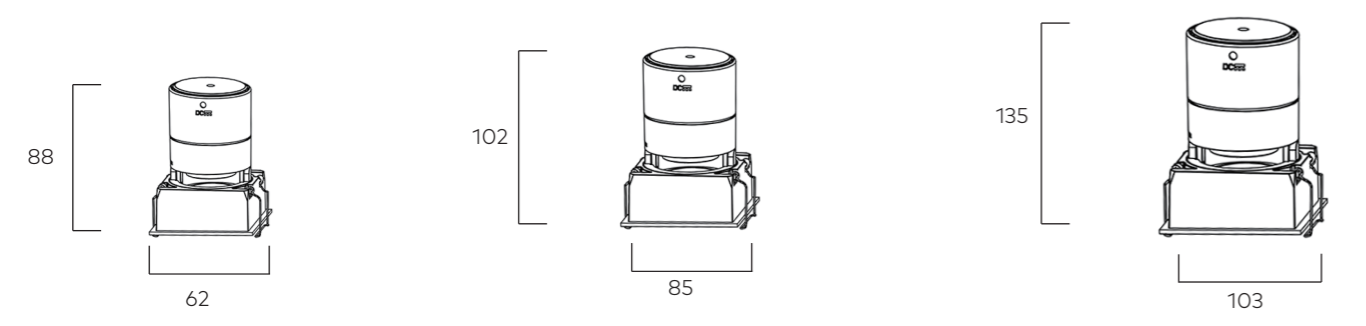
Wattage	LED Source	UGR	CRI	CCT	Input Voltage	Cut out	Driver	Size	Beam Angle
5W	Bridgelux	< 10	≥90	3000/4000/5700K	AC220-240v	Φ55	Lifud/eaglerise	Φ88*62	15/24/36/55°
8W (Max)	Bridgelux	< 10	≥90	3000/4000/5700K	AC220-240v	Φ55	Lifud/eaglerise	Φ88*62	15/24/36/55°
10W	Bridgelux	< 10	≥90	3000/4000/5700K	AC220-240v	Φ75	Lifud/eaglerise	Φ102*83	15/24/36/55°
15W (Max)	Bridgelux	< 10	≥90	3000/4000/5700K	AC220-240v	Φ75	Lifud/eaglerise	Φ102*83	15/24/36/55°
20W	Bridgelux	< 10	≥90	3000/4000/5700K	AC220-240v	Φ95	Lifud/eaglerise	Φ135*106	15/24/36/55°
24W (Max)	Bridgelux	< 10	≥90	3000/4000/5700K	AC220-240v	Φ95	Lifud/eaglerise	Φ135*106	15/24/36/55°





Vantage

ES2137-S ES2138-S ES2139-S



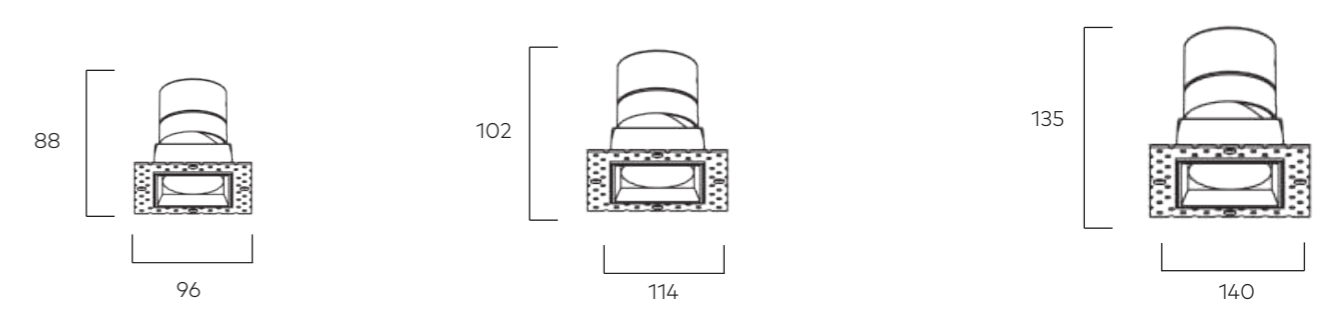
Specification

Wattage	LED Source	UGR	CRI	CCT	Input Voltage	Cut out	Driver	Size	Beam Angle
5W	Bridgelux	<10	≥90	3000/4000/5700K	AC220-240v	Φ55*55	Lifud/eaglerise	Φ88*62	15/24/36/55°
8W (Max)	Bridgelux	<10	≥90	3000/4000/5700K	AC220-240v	Φ55*55	Lifud/eaglerise	Φ88*62	15/24/36/55°
10W	Bridgelux	<10	≥90	3000/4000/5700K	AC220-240v	Φ75*75	Lifud/eaglerise	Φ102*83	15/24/36/55°
15W (Max)	Bridgelux	<10	≥90	3000/4000/5700K	AC220-240v	Φ75*75	Lifud/eaglerise	Φ102*83	15/24/36/55°
20W	Bridgelux	<10	≥90	3000/4000/5700K	AC220-240v	Φ95*95	Lifud/eaglerise	Φ135*106	15/24/36/55°
24W (Max)	Bridgelux	<10	≥90	3000/4000/5700K	AC220-240v	Φ95*95	Lifud/eaglerise	Φ135*106	15/24/36/55°



Vantage

ES2137-S1 ES2138-S2 ES2139-S3



Specification

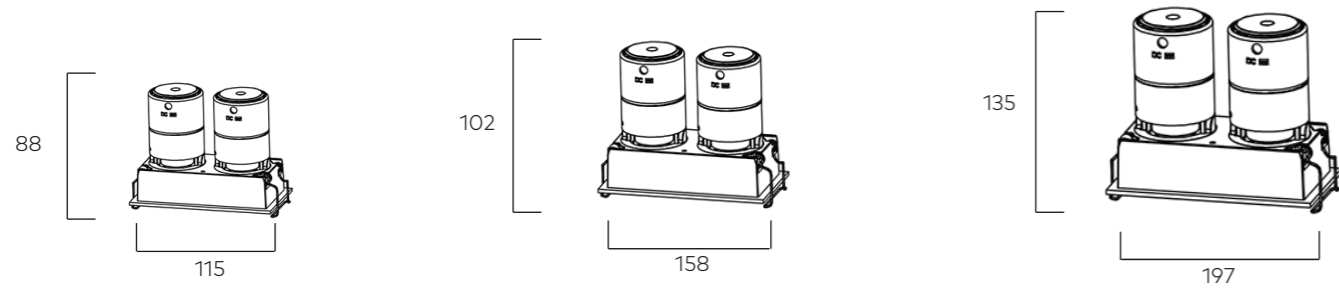
Wattage	LED Source	UGR	CRI	CCT	Input Voltage	Cut out	Driver	Size	Beam Angle
5W	Bridgelux	<10	≥90	3000/4000/5700K	AC220-240v	Φ55*55	Lifud/eaglerise	Φ88*62	15/24/36/55°
8W (Max)	Bridgelux	<10	≥90	3000/4000/5700K	AC220-240v	Φ55*55	Lifud/eaglerise	Φ88*62	15/24/36/55°
10W	Bridgelux	<10	≥90	3000/4000/5700K	AC220-240v	Φ75*75	Lifud/eaglerise	Φ102*83	15/24/36/55°
15W (Max)	Bridgelux	<10	≥90	3000/4000/5700K	AC220-240v	Φ75*75	Lifud/eaglerise	Φ102*83	15/24/36/55°
20W	Bridgelux	<10	≥90	3000/4000/5700K	AC220-240v	Φ95*95	Lifud/eaglerise	Φ135*106	15/24/36/55°
24W (Max)	Bridgelux	<10	≥90	3000/4000/5700K	AC220-240v	Φ95*95	Lifud/eaglerise	Φ135*106	15/24/36/55°





Vantage

ES2137-2 ES2138-2 ES2139-2



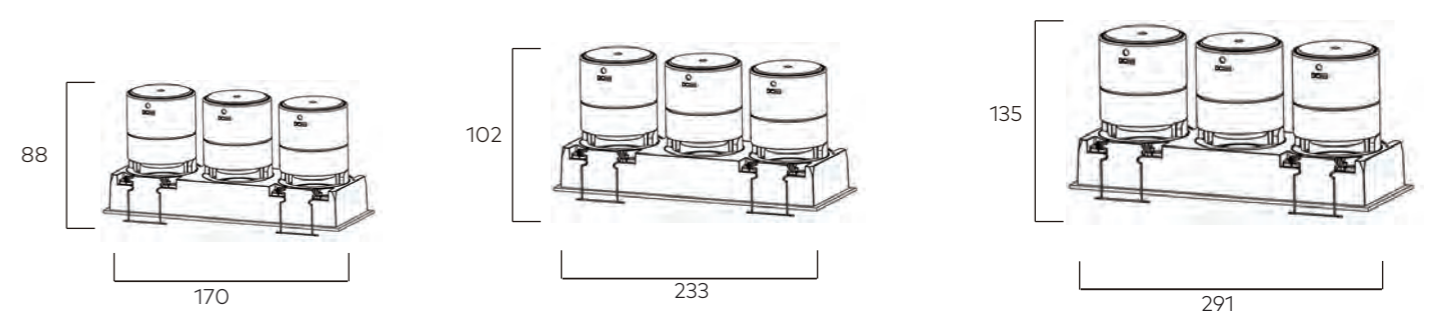
Specification

Wattage	LED Source	UGR	CRI	CCT	Input Voltage	Cut out	Driver	Size	Beam Angle
2*5W	Bridgelux	< 10	≥90	3000/4000/5700K	AC220-240v	Φ110*55	Lifud/eaglerise	Φ88*62	15/24/36/55°
2*8W (Max)	Bridgelux	< 10	≥90	3000/4000/5700K	AC220-240v	Φ110*55	Lifud/eaglerise	Φ88*62	15/24/36/55°
2*10W	Bridgelux	< 10	≥90	3000/4000/5700K	AC220-240v	Φ150*80	Lifud/eaglerise	Φ102*83	15/24/36/55°
2*15W (Max)	Bridgelux	< 10	≥90	3000/4000/5700K	AC220-240v	Φ150*80	Lifud/eaglerise	Φ102*83	15/24/36/55°
2*20W	Bridgelux	< 10	≥90	3000/4000/5700K	AC220-240v	Φ190*50	Lifud/eaglerise	Φ135*106	15/24/36/55°
2*24W (Max)	Bridgelux	< 10	≥90	3000/4000/5700K	AC220-240v	Φ190*50	Lifud/eaglerise	Φ135*106	15/24/36/55°



Vantage

ES2137-3 ES2138-3 ES2139-3



Specification

Wattage	LED Source	UGR	CRI	CCT	Input Voltage	Cut out	Driver	Size	Beam Angle
3*5W	Bridgelux	< 10	≥90	3000/4000/5700K	AC220-240v	Φ165*55	Lifud/eaglerise	Φ88*62	15/24/36/55°
3*8W (Max)	Bridgelux	< 10	≥90	3000/4000/5700K	AC220-240v	Φ165*55	Lifud/eaglerise	Φ88*62	15/24/36/55°
3*10W	Bridgelux	< 10	≥90	3000/4000/5700K	AC220-240v	Φ225*75	Lifud/eaglerise	Φ102*83	15/24/36/55°
3*15W (Max)	Bridgelux	< 10	≥90	3000/4000/5700K	AC220-240v	Φ225*75	Lifud/eaglerise	Φ102*83	15/24/36/55°
3*20W	Bridgelux	< 10	≥90	3000/4000/5700K	AC220-240v	Φ285*95	Lifud/eaglerise	Φ135*106	15/24/36/55°
3*24W (Max)	Bridgelux	< 10	≥90	3000/4000/5700K	AC220-240v	Φ285*95	Lifud/eaglerise	Φ135*106	15/24/36/55°

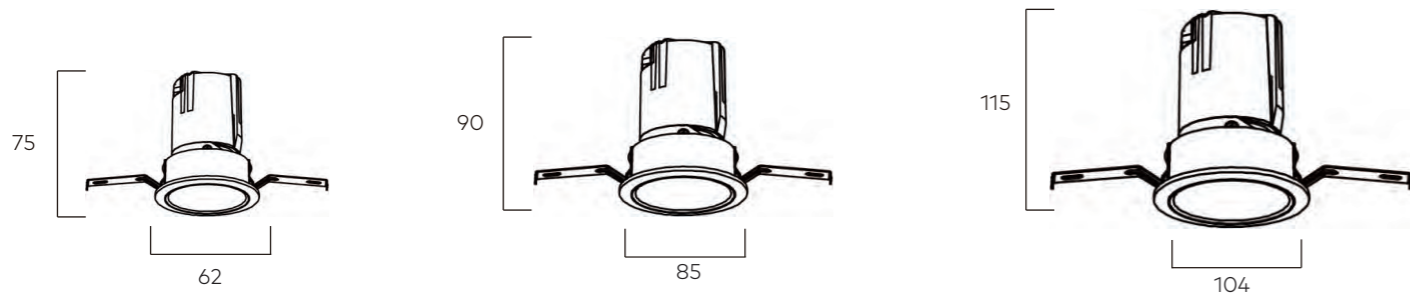






Taurus COB Spot light

ES2042 ES2046 ES2050



Specification

Wattage	LED Source	UGR	CRI	CCT	Input Voltage	Cut out	Driver	Size	Beam Angle
6W	Bridgelux	< 10	≥90	3000/4000/5700K	AC220-240v	Φ55	Lifud/eaglerise	75*62	15/24/36/55°
7W (Max)	Bridgelux	< 10	≥90	3000/4000/5700K	AC220-240v	Φ55	Lifud/eaglerise	75*62	15/24/36/55°
7W	Bridgelux	< 10	≥90	3000/4000/5700K	AC220-240v	Φ75	Lifud/eaglerise	90*85	15/24/36/55°
15W (Max)	Bridgelux	< 10	≥90	3000/4000/5700K	AC220-240v	Φ75	Lifud/eaglerise	90*85	15/24/36/55°
15W	Bridgelux	< 10	≥90	3000/4000/5700K	AC220-240v	Φ95	Lifud/eaglerise	115*104	15/24/36/55°
24W (Max)	Bridgelux	< 10	≥90	3000/4000/5700K	AC220-240v	Φ95	Lifud/eaglerise	115*104	15/24/36/55°



Taurus COB Spot light

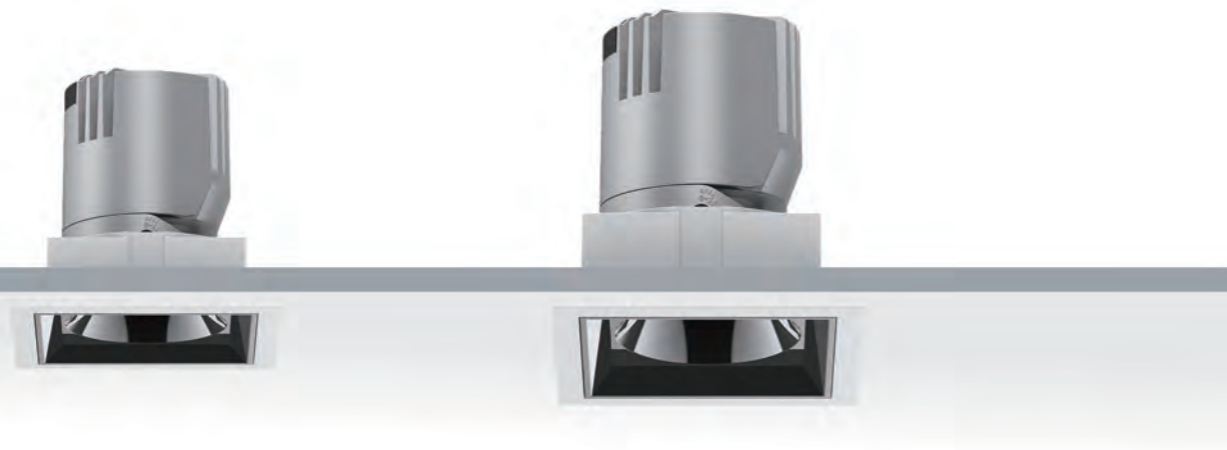
ES4043 ES4044



Specification

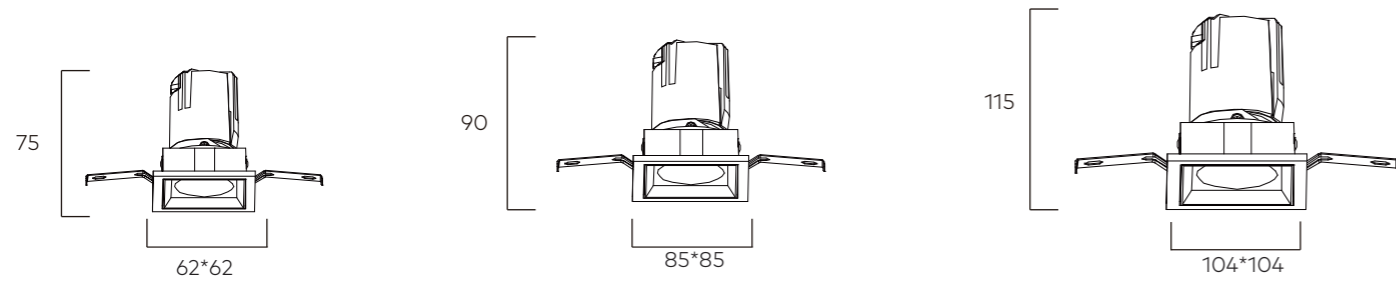
Wattage	LED Source	UGR	CRI	CCT	Input Voltage	Cut out	Driver	Size	Beam Angle
30W	Bridgelux	< 10	≥90	3000/4000/5700K	AC220-240v	Φ120	Lifud/eaglerise	149*140	15/24/36/55°
35W (Max)	Bridgelux	< 10	≥90	3000/4000/5700K	AC220-240v	Φ120	Lifud/eaglerise	149*140	15/24/36/55°
50W	Bridgelux	< 10	≥90	3000/4000/5700K	AC220-240v	Φ145	Lifud/eaglerise	179*168	15/24/36/55°
55W (Max)	Bridgelux	< 10	≥90	3000/4000/5700K	AC220-240v	Φ145	Lifud/eaglerise	179*168	15/24/36/55°





Taurus COB Spot light

ES2044 ES2048 ES2052



Specification

Wattage	LED Source	UGR	CRI	CCT	Input Voltage	Cut out	Driver	Size	Beam Angle
6W	Bridgelux	<10	≥90	3000/4000/5700K	AC220-240v	Φ55*55	Lifud/eaglerise	75*62	15/24/36/55°
7W (Max)	Bridgelux	<10	≥90	3000/4000/5700K	AC220-240v	Φ55*55	Lifud/eaglerise	75*62	15/24/36/55°
7W	Bridgelux	<10	≥90	3000/4000/5700K	AC220-240v	Φ75*75	Lifud/eaglerise	90*85	15/24/36/55°
15W (Max)	Bridgelux	<10	≥90	3000/4000/5700K	AC220-240v	Φ75*75	Lifud/eaglerise	90*85	15/24/36/55°
15W	Bridgelux	<10	≥90	3000/4000/5700K	AC220-240v	Φ95*95	Lifud/eaglerise	115*104	15/24/36/55°
24W (Max)	Bridgelux	<10	≥90	3000/4000/5700K	AC220-240v	Φ95*95	Lifud/eaglerise	115*104	15/24/36/55°



Taurus COB Spot light

ES4045 ES4046



Specification

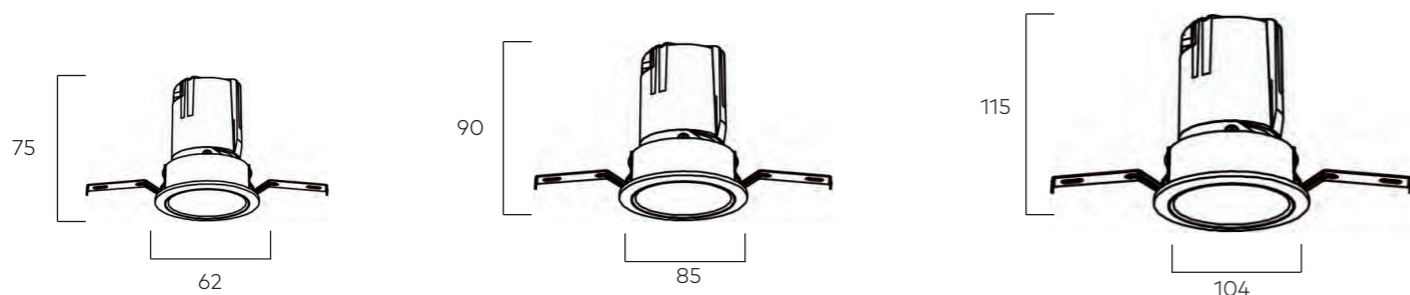
Wattage	LED Source	UGR	CRI	CCT	Input Voltage	Cut out	Driver	Size	Beam Angle
30W	Bridgelux	<10	≥90	3000/4000/5700K	AC220-240v	120*120	Lifud/eaglerise	149*140	15/24/36/55°
35W (Max)	Bridgelux	<10	≥90	3000/4000/5700K	AC220-240v	120*120	Lifud/eaglerise	149*140	15/24/36/55°
50W	Bridgelux	<10	≥90	3000/4000/5700K	AC220-240v	145*145	Lifud/eaglerise	179*168	15/24/36/55°
55W (Max)	Bridgelux	<10	≥90	3000/4000/5700K	AC220-240v	145*145	Lifud/eaglerise	179*168	15/24/36/55°





Taurus COB Spot light

ES2043 ES2047 ES2051



Specification

Wattage	LED Source	UGR	CRI	CCT	Input Voltage	Cut out	Driver	Size	Beam Angle
6W	Bridgelux	< 10	≥90	3000/4000/5700K	AC220-240v	Φ55	Lifud/eaglerise	75*62	15/24/36/55°
7W (Max)	Bridgelux	< 10	≥90	3000/4000/5700K	AC220-240v	Φ55	Lifud/eaglerise	75*62	15/24/36/55°
7W	Bridgelux	< 10	≥90	3000/4000/5700K	AC220-240v	Φ75	Lifud/eaglerise	90*85	15/24/36/55°
15W (Max)	Bridgelux	< 10	≥90	3000/4000/5700K	AC220-240v	Φ75	Lifud/eaglerise	90*85	15/24/36/55°
15W	Bridgelux	< 10	≥90	3000/4000/5700K	AC220-240v	Φ95	Lifud/eaglerise	115*104	15/24/36/55°
24W (Max)	Bridgelux	< 10	≥90	3000/4000/5700K	AC220-240v	Φ95	Lifud/eaglerise	115*104	15/24/36/55°



Taurus COB Spot light

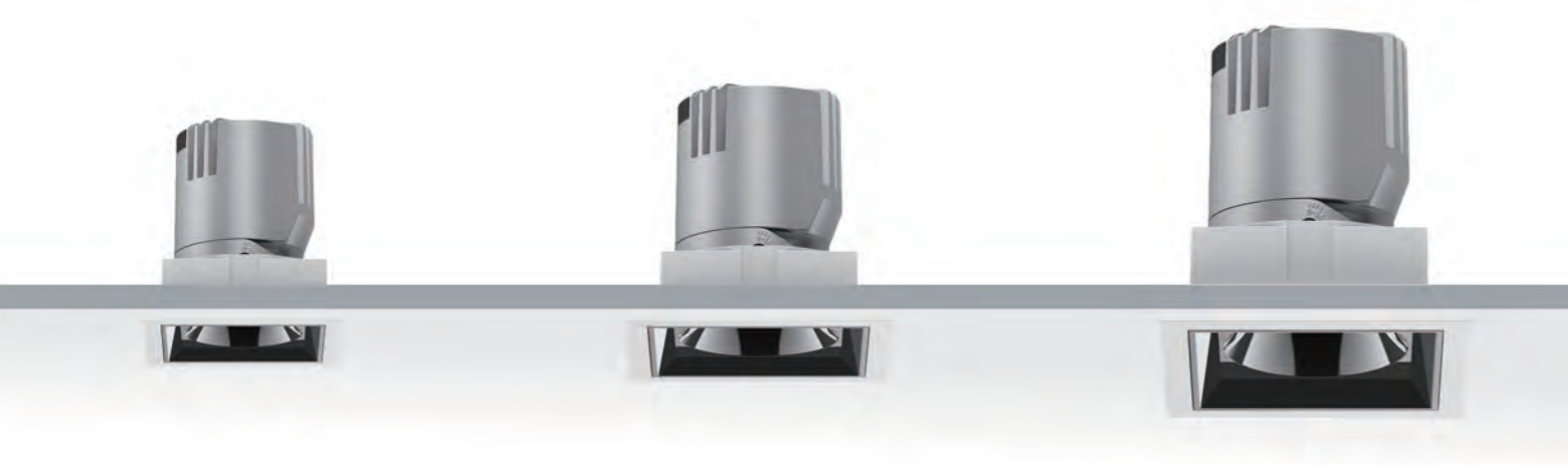
ES4047 ES4048



Specification

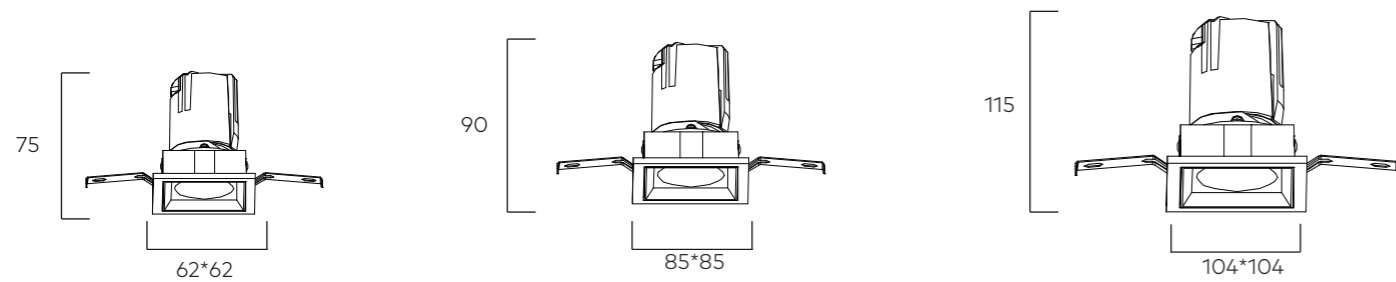
Wattage	LED Source	UGR	CRI	CCT	Input Voltage	Cut out	Driver	Size	Beam Angle
30W	Bridgelux	< 10	≥90	3000/4000/5700K	AC220-240v	Φ120	Lifud/eaglerise	149*140	15/24/36/55°
35W (Max)	Bridgelux	< 10	≥90	3000/4000/5700K	AC220-240v	Φ120	Lifud/eaglerise	149*140	15/24/36/55°
50W	Bridgelux	< 10	≥90	3000/4000/5700K	AC220-240v	Φ145	Lifud/eaglerise	179*168	15/24/36/55°
55W (Max)	Bridgelux	< 10	≥90	3000/4000/5700K	AC220-240v	Φ145	Lifud/eaglerise	179*168	15/24/36/55°





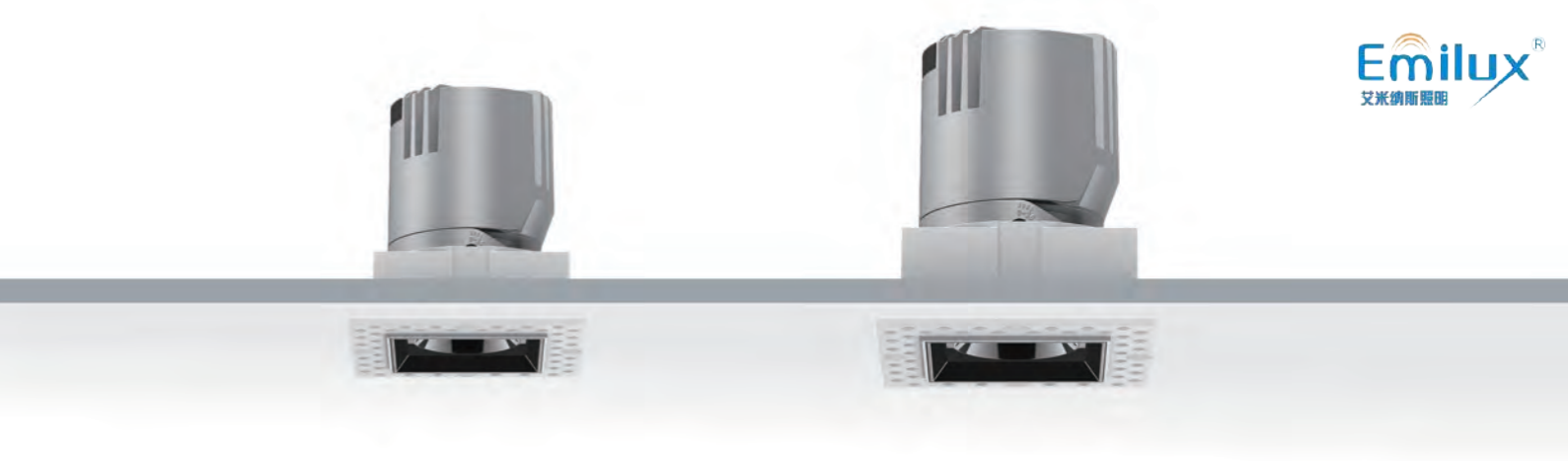
Taurus COB Spot light

ES2045 ES2048 ES2053



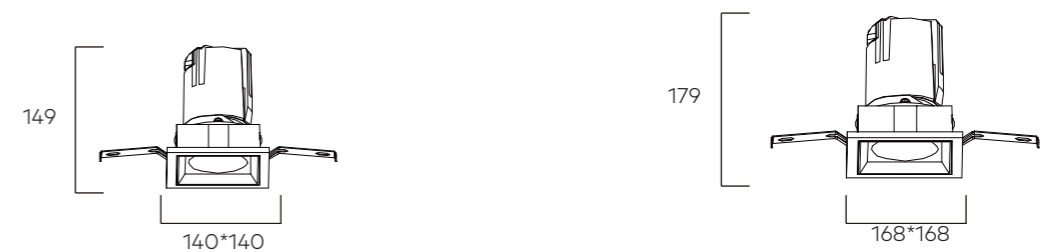
Specification

Wattage	LED Source	UGR	CRI	CCT	Input Voltage	Cut out	Driver	Size	Beam Angle
6W	Bridgelux	<10	≥90	3000/4000/5700K	AC220-240v	Φ55*55	Lifud/eaglerise	75*62	15/24/36/55°
7W (Max)	Bridgelux	<10	≥90	3000/4000/5700K	AC220-240v	Φ55*55	Lifud/eaglerise	75*62	15/24/36/55°
7W	Bridgelux	<10	≥90	3000/4000/5700K	AC220-240v	Φ75*75	Lifud/eaglerise	90*85	15/24/36/55°
15W (Max)	Bridgelux	<10	≥90	3000/4000/5700K	AC220-240v	Φ75*75	Lifud/eaglerise	90*85	15/24/36/55°
15W	Bridgelux	<10	≥90	3000/4000/5700K	AC220-240v	Φ95*95	Lifud/eaglerise	115*104	15/24/36/55°
24W (Max)	Bridgelux	<10	≥90	3000/4000/5700K	AC220-240v	Φ95*95	Lifud/eaglerise	115*104	15/24/36/55°



Taurus COB Spot light

ES4049 ES4050



Specification

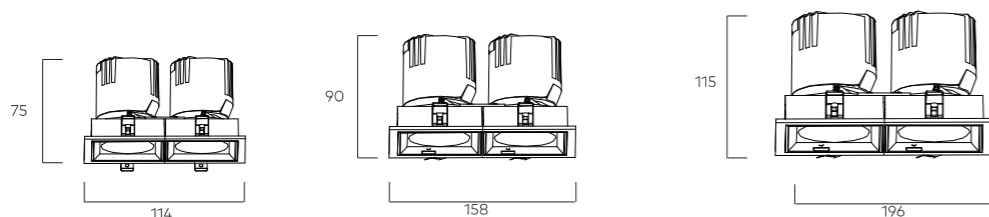
Wattage	LED Source	UGR	CRI	CCT	Input Voltage	Cut out	Driver	Size	Beam Angle
30W	Bridgelux	<10	≥90	3000/4000/5700K	AC220-240v	120*120	Lifud/eaglerise	149*140	15/24/36/55°
35W (Max)	Bridgelux	<10	≥90	3000/4000/5700K	AC220-240v	120*120	Lifud/eaglerise	149*140	15/24/36/55°
50W	Bridgelux	<10	≥90	3000/4000/5700K	AC220-240v	145*145	Lifud/eaglerise	179*168	15/24/36/55°
55W (Max)	Bridgelux	<10	≥90	3000/4000/5700K	AC220-240v	145*145	Lifud/eaglerise	179*168	15/24/36/55°





Taurus COB Spot light

ES2058 ES2060 ES2062



Specification

Wattage	LED Source	UGR	CRI	CCT	Input Voltage	Cut out	Driver	Size	Beam Angle
2*7W	Bridgelux	<10	≥90	3000/4000/5700K	AC220-240v	Φ105*55	Lifud/eaglerise	114*62*76	15/24/36/55°
2*12W	Bridgelux	<10	≥90	3000/4000/5700K	AC220-240v	Φ148*75	Lifud/eaglerise	158*90*85	15/24/36/55°
2*24W	Bridgelux	<10	≥90	3000/4000/5700K	AC220-240v	Φ190*75	Lifud/eaglerise	196*116*92	15/24/36/55°



Taurus COB Spot light

ES4028 ES4029



Specification

Wattage	LED Source	UGR	CRI	CCT	Input Voltage	Cut out	Driver	Size	Beam Angle
3*7W	Bridgelux	<10	≥90	3000/4000/5700K	AC220-240v	Φ160*55	Lifud/eaglerise	166*62*76	15/24/36/55°
3*12W	Bridgelux	<10	≥90	3000/4000/5700K	AC220-240v	Φ220*75	Lifud/eaglerise	230*85*90	15/24/36/55°





SHOOTLIGHT

Phoenix Series

The change and progress



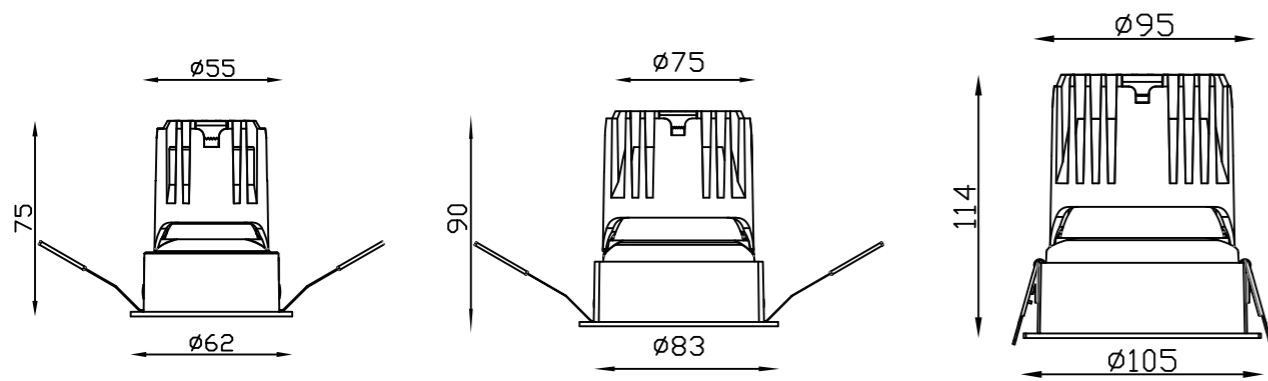
Product Breakdown Diagram





PHOENIX

EP1001 1002 1003



Specification

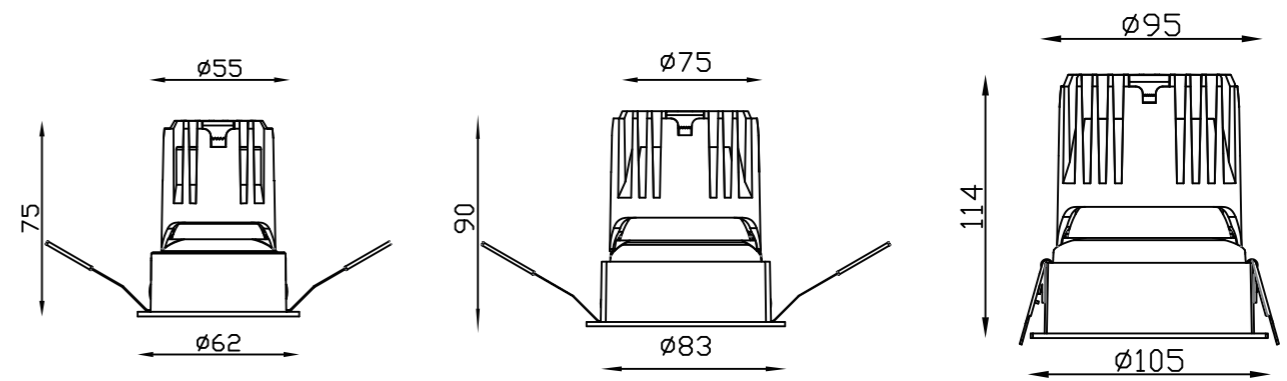
ES2012

Wattage	LED Source	UGR	CRI	CCT	Input Voltage	Cut out	Driver	Size	Beam Angle
5-8W	Bridgelux	<10	≥90	2700-6500K/ 1800-3000K	AC220-240v	55mm	Lifud/eaglerise	Φ62*75	15/24/36/55°
10-15W	Bridgelux	<10	≥90	2700-6500K/ 1800-3000K	AC220-240v	75mm	Lifud/eaglerise	Φ93*90	15/24/36/55°
20-25W	Bridgelux	<10	≥90	2700-6500K/ 1800-3000K	AC220-240v	95mm	Lifud/eaglerise	Φ105*114	15/24/36/55°



PHOENIX

EP1001-1 1002-1 1003-1



Specification

ES2012

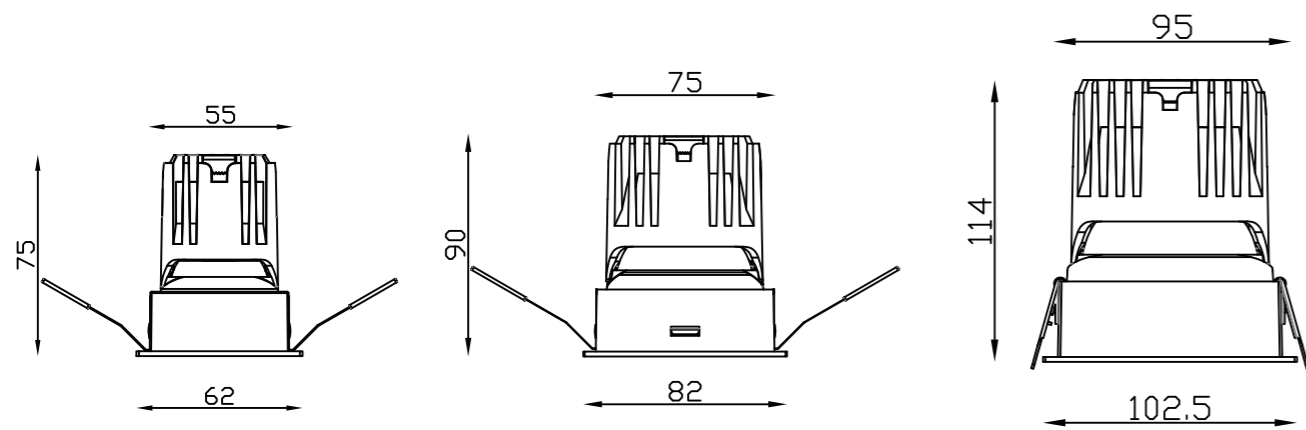
Wattage	LED Source	UGR	CRI	CCT	Input Voltage	Cut out	Driver	Size	Beam Angle
5-8W	Bridgelux	<10	≥90	2700-6500K/ 1800-3000K	AC220-240v	55mm	Lifud/eaglerise	Φ62*75	15/24/36/55°
10-15W	Bridgelux	<10	≥90	2700-6500K/ 1800-3000K	AC220-240v	75mm	Lifud/eaglerise	Φ93*90	15/24/36/55°
20-25W	Bridgelux	<10	≥90	2700-6500K/ 1800-3000K	AC220-240v	95mm	Lifud/eaglerise	Φ105*114	15/24/36/55°





PHOENIX

EP2001 2002 2003



Specification

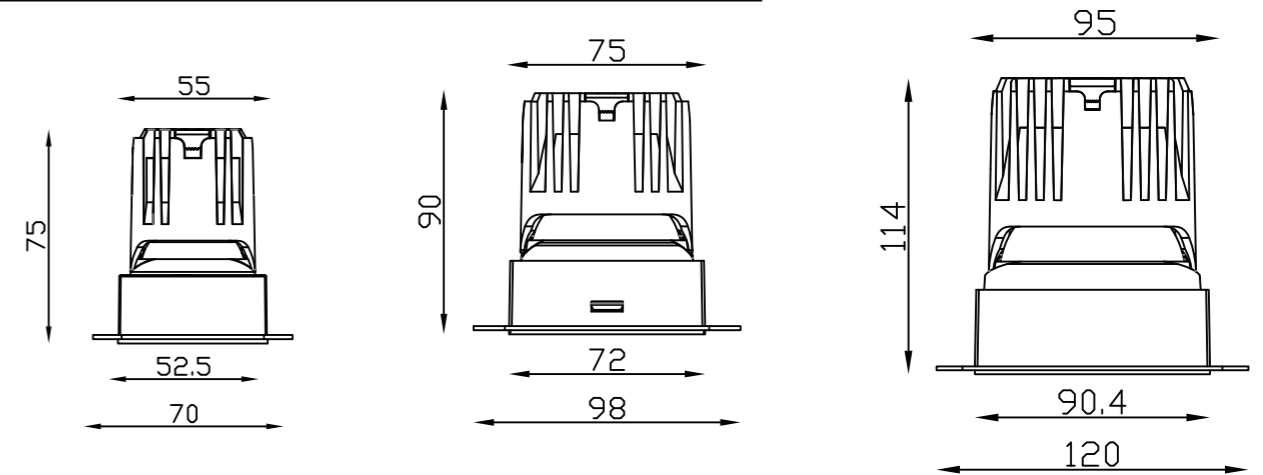
ES2012

Wattage	LED Source	UGR	CRI	CCT	Input Voltage	Cut out	Driver	Size	Beam Angle
5-8W	Bridgelux	<10	≥90	2700-6500K/ 1800-3000K	AC220-240v	55*55mm	Lifud/eaglerise	Φ62*62*75	15/24/36/55°
10-15W	Bridgelux	<10	≥90	2700-6500K/ 1800-3000K	AC220-240v	75*75mm	Lifud/eaglerise	Φ82*82*90	15/24/36/55°
20-25W	Bridgelux	<10	≥90	2700-6500K/ 1800-3000K	AC220-240v	95*95mm	Lifud/eaglerise	Φ102.5*102.5 *114	15/24/36/55°



PHOENIX

EP2001-1 2002-2 2003-2



Specification

ES2012

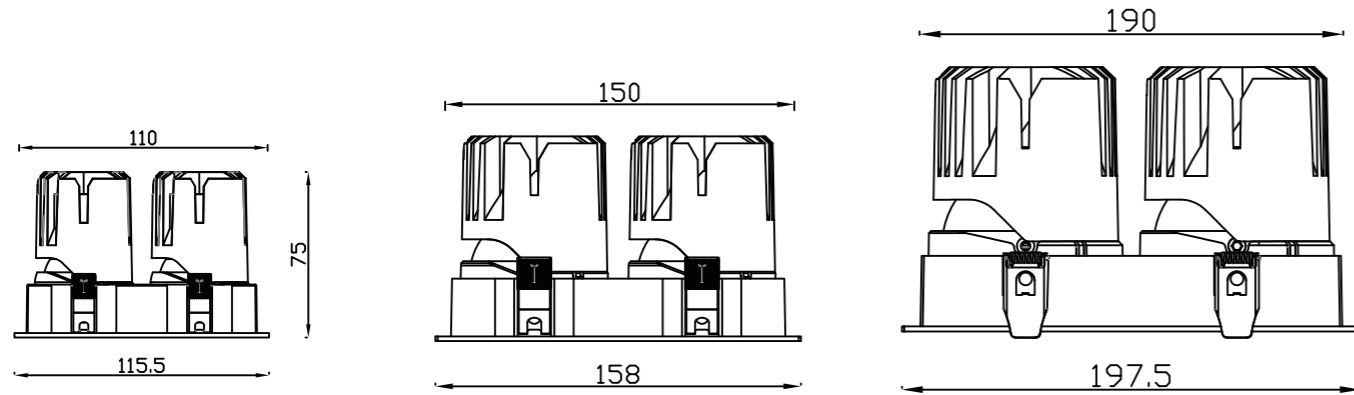
Wattage	LED Source	UGR	CRI	CCT	Input Voltage	Cut out	Driver	Size	Beam Angle
5-8W	Bridgelux	<10	≥90	2700-6500K/ 1800-3000K	AC220-240v	55*55mm	Lifud/eaglerise	Φ70*70*75	15/24/36/55°
10-15W	Bridgelux	<10	≥90	2700-6500K/ 1800-3000K	AC220-240v	75*75mm	Lifud/eaglerise	Φ98*98*90	15/24/36/55°
20-25W	Bridgelux	<10	≥90	2700-6500K/ 1800-3000K	AC220-240v	95*95mm	Lifud/eaglerise	Φ120*120 *114	15/24/36/55°





PHOENIX

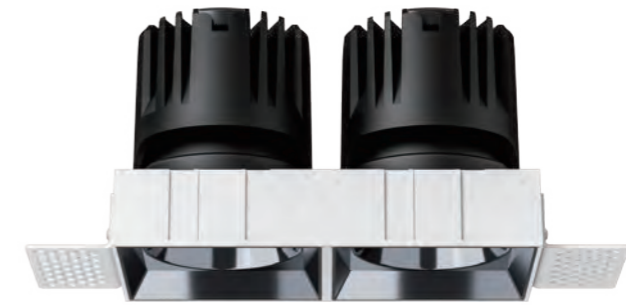
EP3001 3002 3003



Specification

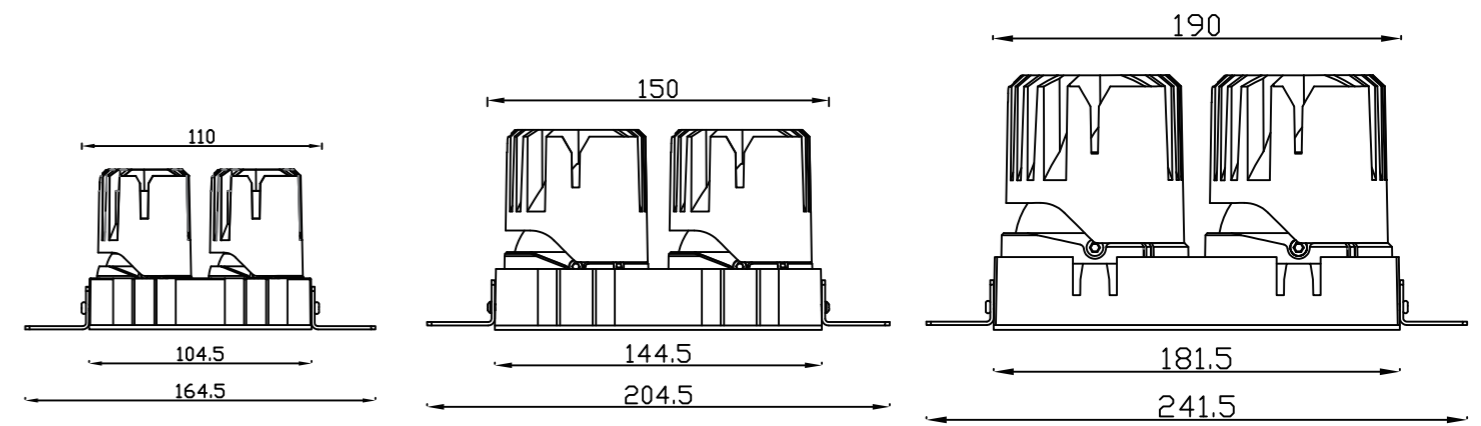
ES2012

Wattage	LED Source	UGR	CRI	CCT	Input Voltage	Cut out	Driver	Size	Beam Angle
5-8W	Bridgelux	<10	≥90	2700-6500K/ 1800-3000K	AC220-240v	110*55	Lifud/eaglerise	115.5*62*75	15/24/36/55°
10-15W	Bridgelux	<10	≥90	2700-6500K/ 1800-3000K	AC220-240v	150*75	Lifud/eaglerise	158*86*90	15/24/36/55°
20-25W	Bridgelux	<10	≥90	2700-6500K/ 1800-3000K	AC220-240v	190*95	Lifud/eaglerise	197.5*106.5 *114	15/24/36/55°



PHOENIX

EP3001-1 3002-1 3003-1



Specification

ES2012

Wattage	LED Source	UGR	CRI	CCT	Input Voltage	Cut out	Driver	Size	Beam Angle
5-8W	Bridgelux	<10	≥90	2700-6500K/ 1800-3000K	AC220-240v	110*52	Lifud/eaglerise	104.5*52*75	15/24/36/55°
10-15W	Bridgelux	<10	≥90	2700-6500K/ 1800-3000K	AC220-240v	150*72	Lifud/eaglerise	114.5*72*90	15/24/36/55°
20-25W	Bridgelux	<10	≥90	2700-6500K/ 1800-3000K	AC220-240v	190*90.5	Lifud/eaglerise	181.5*90.5 *114	15/24/36/55°



SOPHIA SERIES

Anti-glare

Multi-colours available

Color customisation supported

IP65



Beauty, more than one

Multi-coloured face rings ,The reflector is multi-color and can meet the needs of different occasionsThe reflector is precisely designed,plated and nano spray painted Comfortablelight type with high reflection efficiency and high efficiency



Pearl Black

Black

Silver

White

P 7563honey Gold

Pearl Black

P 3556

P 331





Heat sink
ADC12
ADC12 die-casting Aluminum

Middle ring
ADC12
ADC12 die-casting Aluminum

Integral outerring
ADC12 die-casting Aluminum, With
nano coating, RAL9016 fine sand white
ultra-thin powder

Waterproof joint

zinc alloy surface electroplating

LED Holder

LED LENS

PMMA
High light transmittance, PMMA acrylic

Double waterproof silicone rubber ring

1. Up to damp proof IP44 Silicone ring can replace optical accessories such as cellular network
2. It plays the role of fastening and buffering the middle ring and radiator.

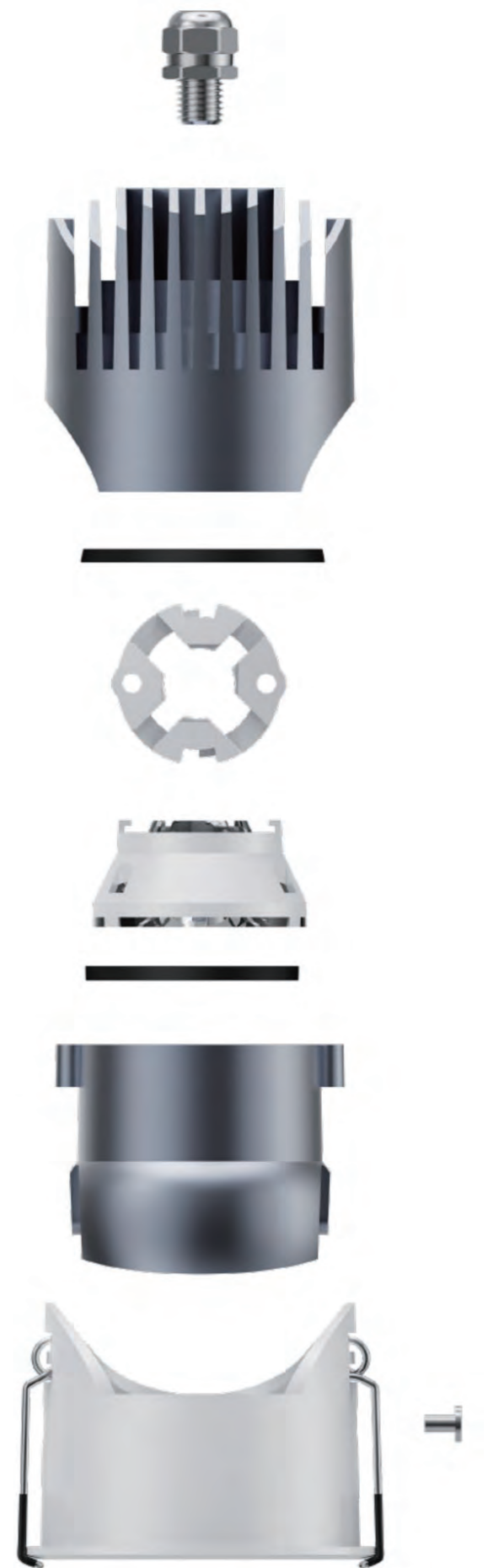
Spring clips

Stainless nickel steel 201

Fixing screws

Stainless nickel steel 201

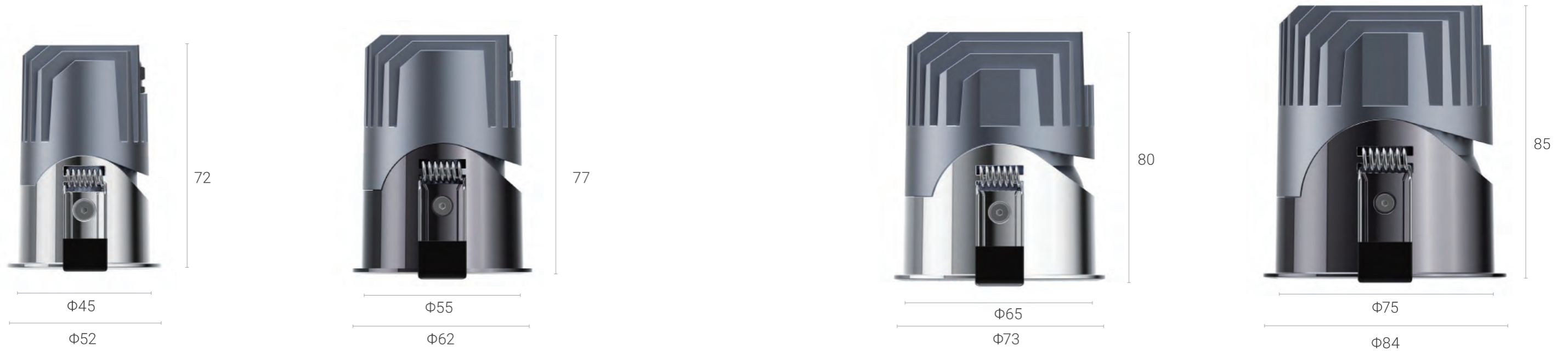
Plastic heat shrink tubing



Ultra-thin design



Four product sizes



Optical lens and reflector cup can be switched



Integrated Frame



Reflector Cup



Lens



Reflector cover Frame



Reflector Cup



Lens

IP65

Waterproof

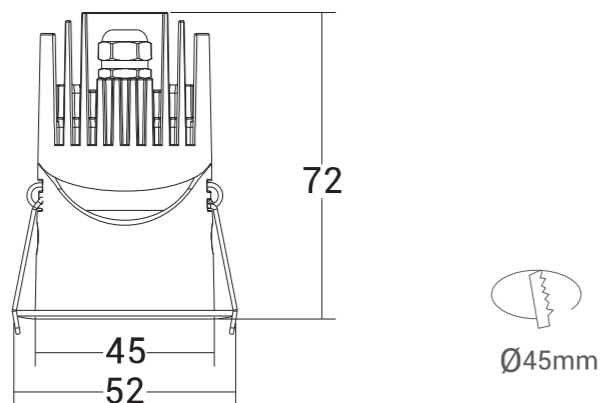
Not afraid of water/fog/oil/smoke can be used in the hotel, ballroom





SOPHIA

ES-1005E45 (Lens and Reflective cup)



Specification

Wattage	LED Source	UGR	CRI	CCT	Input Voltage	Cut out	Driver	Size	Beam Angle
6W	CREE	<10	≥90	3000/4000/5700K	AC220-240v	Ø45	Lifud/eaglerise	52*72mm	15/24/36/55°



Waterproof: IP65 (LENS)

Beam angle: 15° /24° /36° /55° (LENS)

Waterproof: IP40 (ReBector Cup)

Beam angle: 24° /38° (ReBector Cup)

LUMINUS CXM-6

Standard holder: **CREE** 1304

Optional holder: **CREE** 1306

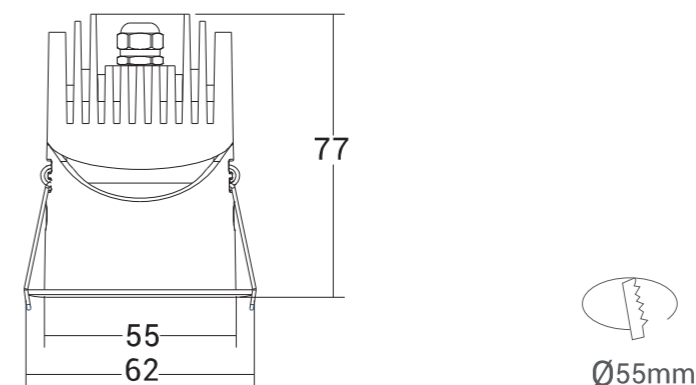


Optional:



SOPHIA

ES-1005E55 (Lens and Reflective cup)



Specification

Wattage	LED Source	UGR	CRI	CCT	Input Voltage	Cut out	Driver	Size	Beam Angle
8W	CREE	<10	≥90	3000/4000/5700K	AC220-240v	Ø55	Lifud/eaglerise	62*77mm	15/24/36/55°



Waterproof: IP65 (LENS)

Beam angle: 15° /24° /36° /55° (LENS)

Waterproof: IP40 (ReBector Cup)

Beam angle: 24° /38° (ReBector Cup)

LUMINUS CXM-6

Standard holder: **CREE** 1304

Optional holder: **CREE** 1306



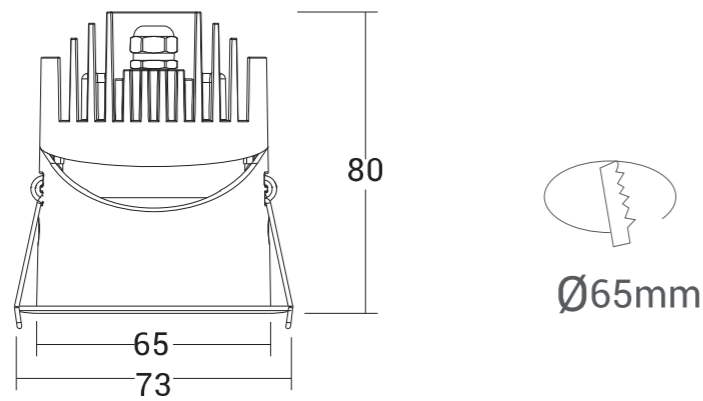
Optional:





SOPHIA

ES-1005E65 (Lens and Reflective cup)



Specification

Wattage	LED Source	UGR	CRI	CCT	Input Voltage	Cut out	Driver	Size	Beam Angle
10W	CREE	<10	≥90	3000/4000/5700K	AC220-240V	Ø65	Lifud/eaglerise	73*80mm	15/24/36/55°



Waterproof: IP65 (LENS)

Beam angle: 15° /24° /36° /55° (LENS)

Waterproof: IP40 (ReBector Cup)

Beam angle: 24° /38° (ReBector Cup)

LUMINUS CXM-6

Standard holder: **CREE** 1304

Optional holder: **CREE** 1306

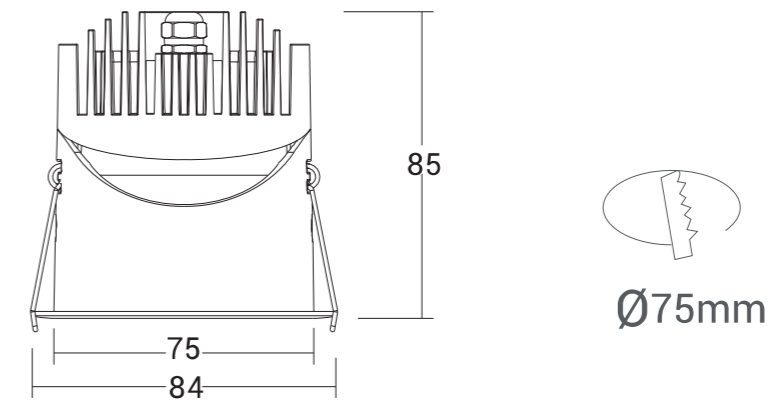


Optional:



SOPHIA

ES-1005E75 (Lens and Reflective cup)



Specification

Wattage	LED Source	UGR	CRI	CCT	Input Voltage	Cut out	Driver	Size	Beam Angle
12W	CREE	<10	≥90	3000/4000/5700K	AC220-240V	Ø75	Lifud/eaglerise	84*85mm	15/24/36/55°



Waterproof: IP65 (LENS)

Beam angle: 15° /24° /36° /55° (LENS)

Waterproof: IP40 (ReBector Cup)

Beam angle: 24° /38° (ReBector Cup)

LUMINUS CXM-6

Standard holder: **CREE** 1304

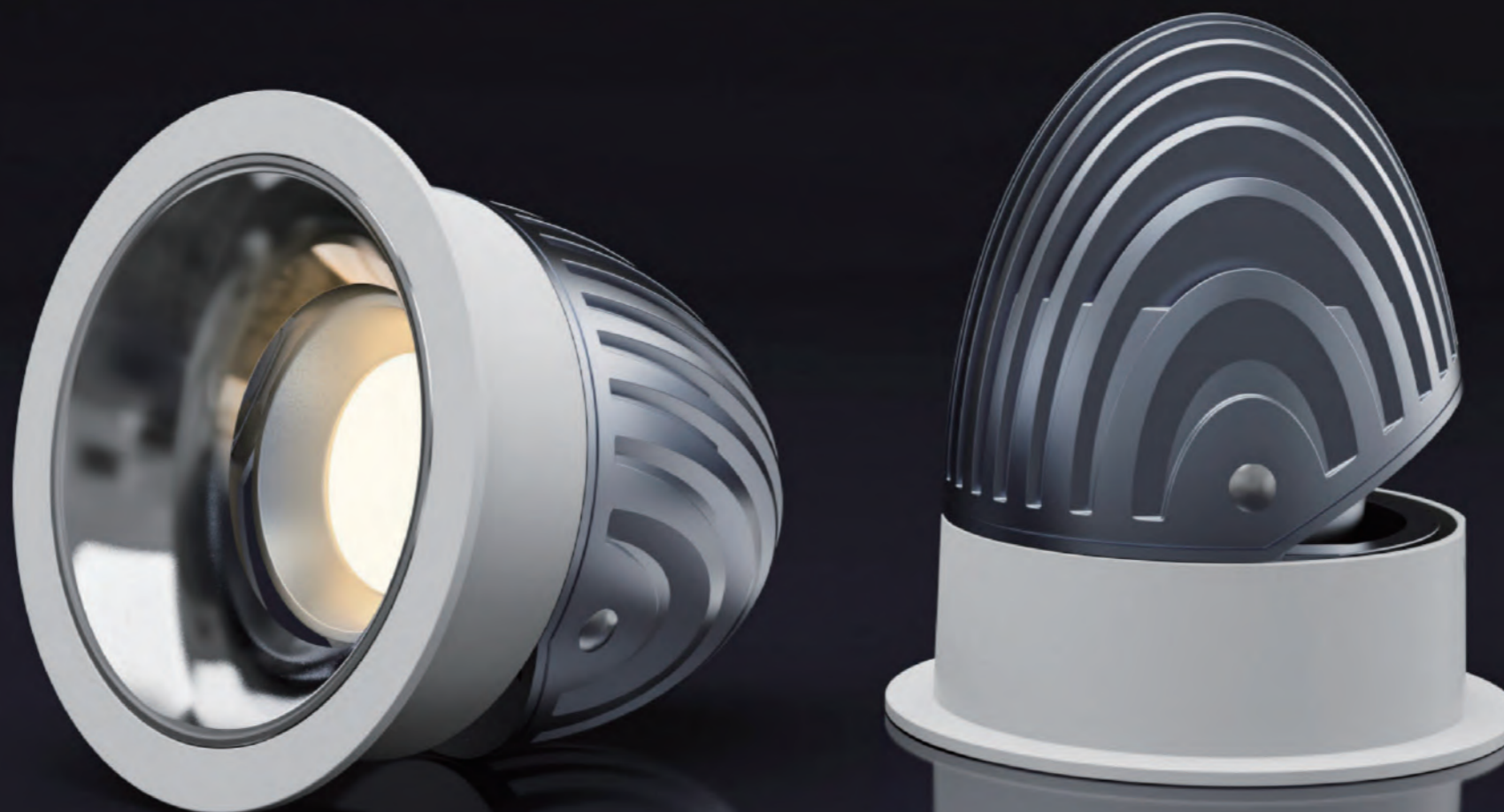
Optional holder: **CREE** 1306



Optional:



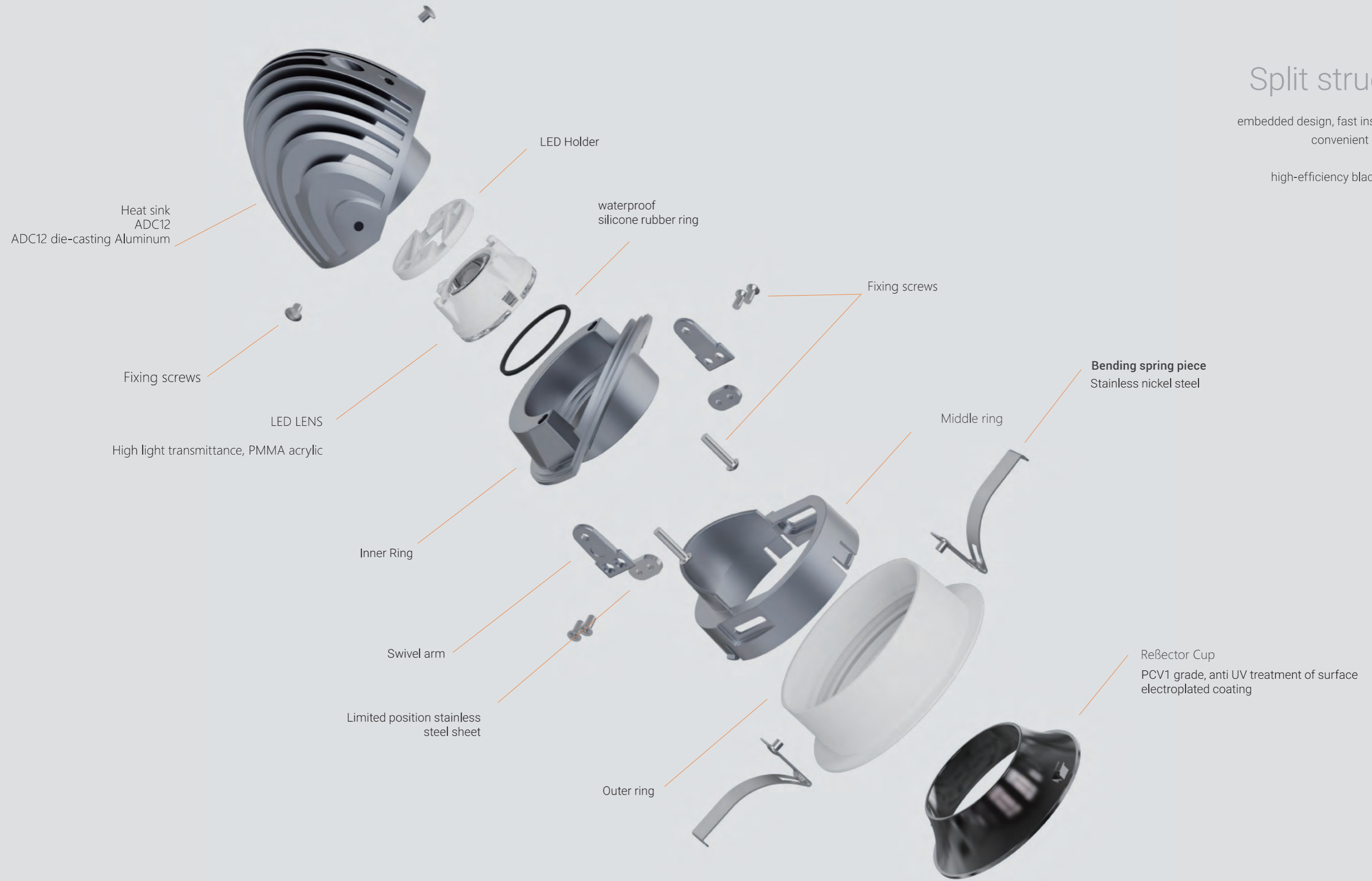
Fuze SERIES

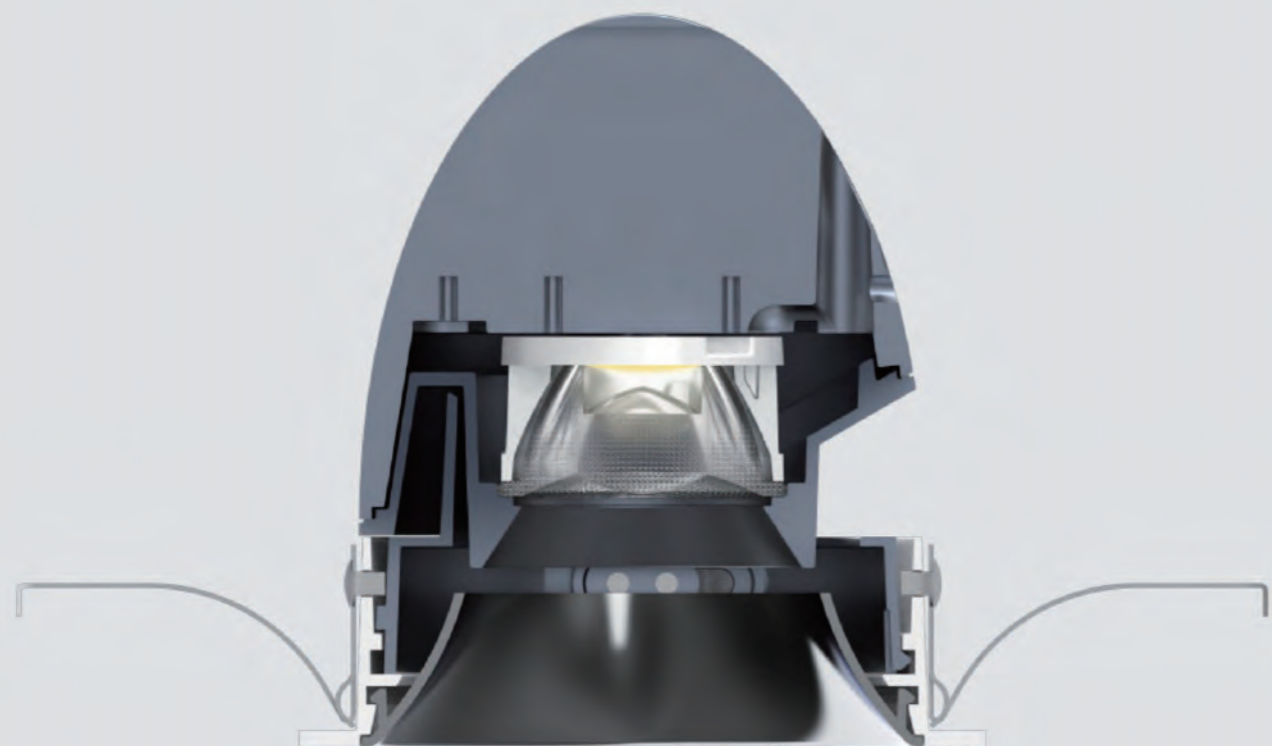


- Die-cast aluminium lamp body can effectively prevent corrosion and rust, make the lamp body fully heat dissipation, improve heat dissipation efficiency.
- It can be used as IP40 anti-fog and prevent fog and spray from contacting light source. It is suitable for kitchen and toilet.
- Equipped with an extremely narrow beam Angle, can be from different angles to accurately illuminate the subject.

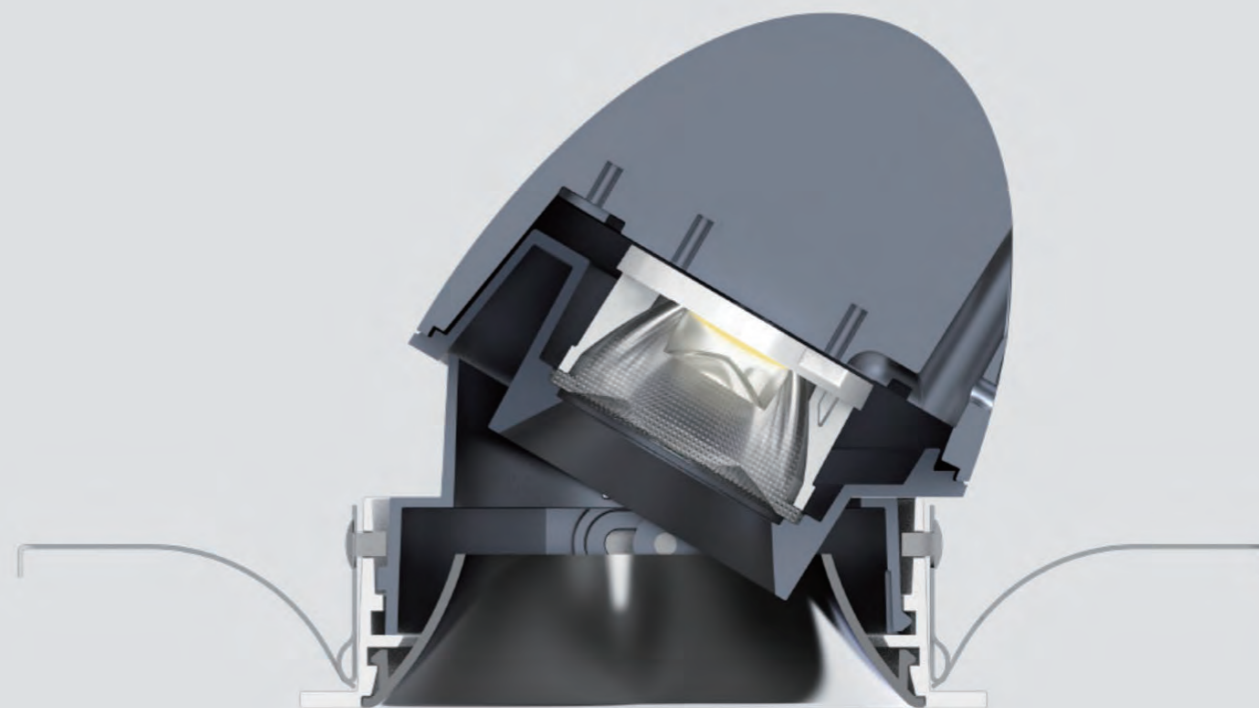
Split structure

embedded design, fast installation and
convenient maintenance
Innovative
high-efficiency black light mirror





Direct light status



Pendulum angle status



Adjustable angle 30°
Horizontal rotation 355°



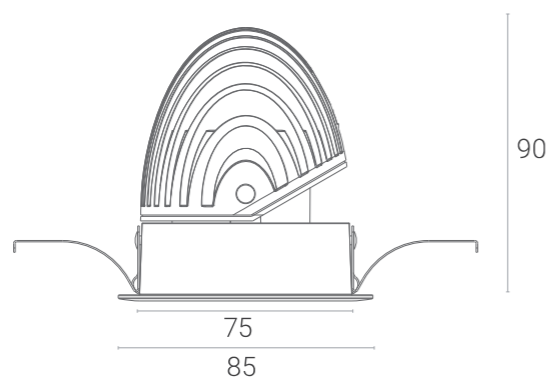
Luminous efficiency

It can achieve 0-30° adjustable angle,
built-in hidden horizontal push, which can push 6 mm, and the
lighting effect is better



FUZE Seiries

ES-1006E45 (Lens)



Specification

Wattage	LED Source	UGR	CRI	CCT	Input Voltage	Cut out	Driver	Size	Beam Angle
12W	CREE	<10	≥90	3000/4000/5700K	AC220-240v	Ø75	Lifud/eaglerise	85*90mm	15/24/36/55°



Waterproof: IP40 (LENS)

Beam angle: 15° /24° /36° /55° (LENS)

Standard holder: **CREE** 1304 Optional holder: **CREE** 1306





LED high-transmittance light sources are designed to establish a comfortable lighting environment.



They provide uniform illumination with high brightness, eliminating video flicker. The irradiation surface is characterized by simplicity and cleanliness, devoid of stray light and black spots, ensuring a visually seamless and pleasant lighting experience.



SMD DOWN LIGHT

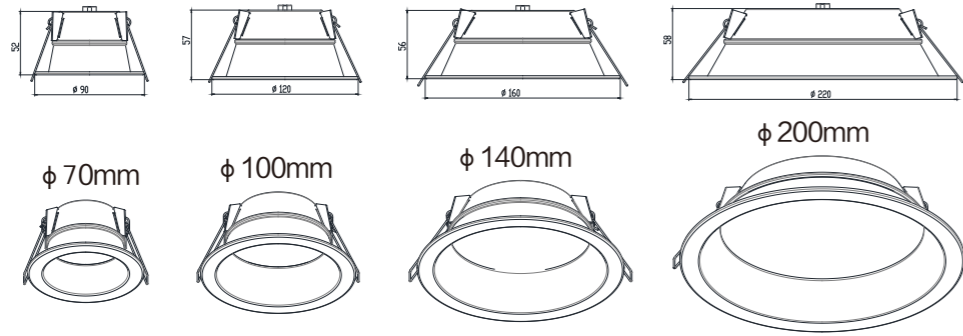
- Uniform light output of basic lighting
- Soft light improves overall space brightness
- High quality alloy aluminum,excellent heat dissipation effect
- Area used:hotels,home lighting,shopping malls and other places





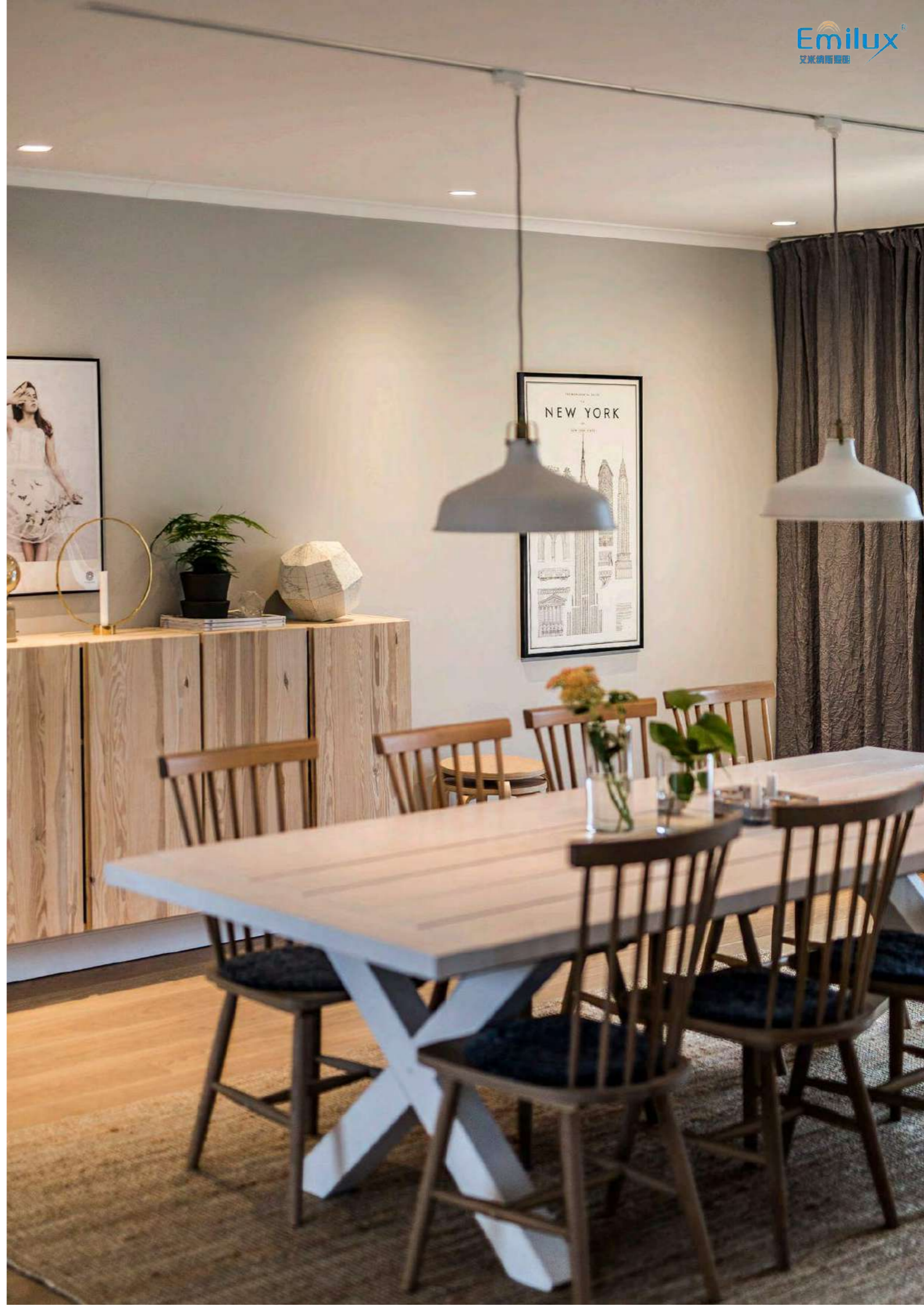
Royce

ED1006 ED1007 ED1008 ED1009 ED1010



Specification

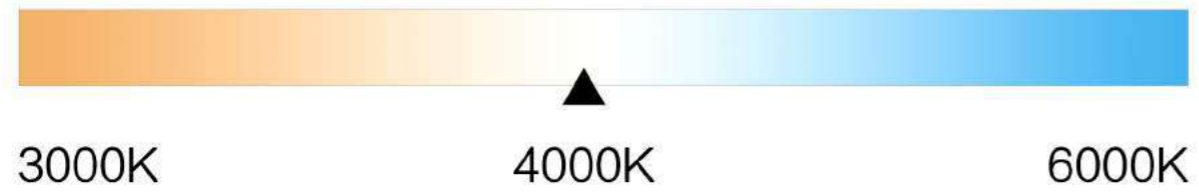
Wattage	LED Source	UGR	CRI	CCT	Input Voltage	Cut out	Driver	Size	Beam Angle
7W	Bridgelux	<10	≥90	3000/4000/5700K	AC220-240v	Φ70	Lifud/eaglerise	Φ90*52	90°
10W	Bridgelux	<10	≥90	3000/4000/5700K	AC220-240v	Φ100	Lifud/eaglerise	Φ120*57	90°
15W	Bridgelux	<10	≥90	3000/4000/5700K	AC220-240v	Φ140	Lifud/eaglerise	Φ160*56	90°
24W	Bridgelux	<10	≥90	3000/4000/5700K	AC220-240v	Φ200	Lifud/eaglerise	Φ220*58	90°
36W	Bridgelux	<10	≥90	3000/4000/5700K	AC220-240v	Φ200	Lifud/eaglerise	Φ220*58	90°



3 CCT CHANGEABLE SMD SPOT LIGHTS



3 CCT CHANGEABLE SMD DOWN LIGHTS



- With adjustable three color temperature on light
- Multiple color temperatures match different scenes



■ 3000K



■ 4000K



■ 6000K

3000K: Warm light

Create a warm scene
More warm and intimate to
create an atmosphere

6000K: White light

High color rendering
Create a fresh and
bright lighting environment



- Trichromatic temperature

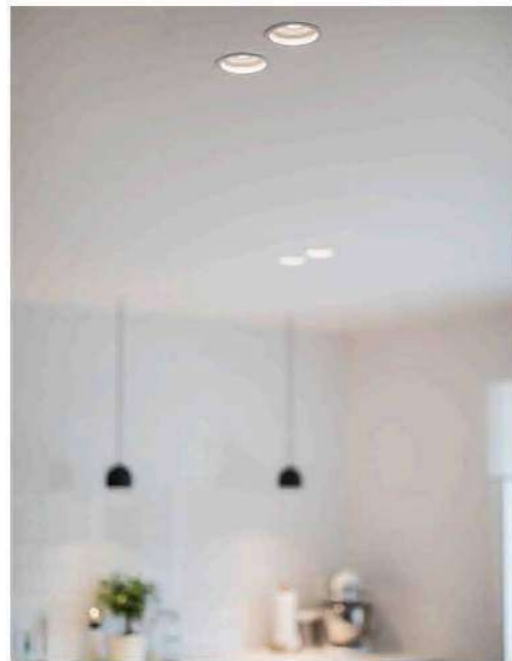
- Quick replacement drive

- Adapt to different scenarios

4000K: Neutral light

Closer to natural color
Natural, comfortable and soft





■ Cayman Series



Cayman

ED1001 ED1002 ED1003 ED1004 ED1005



Specification

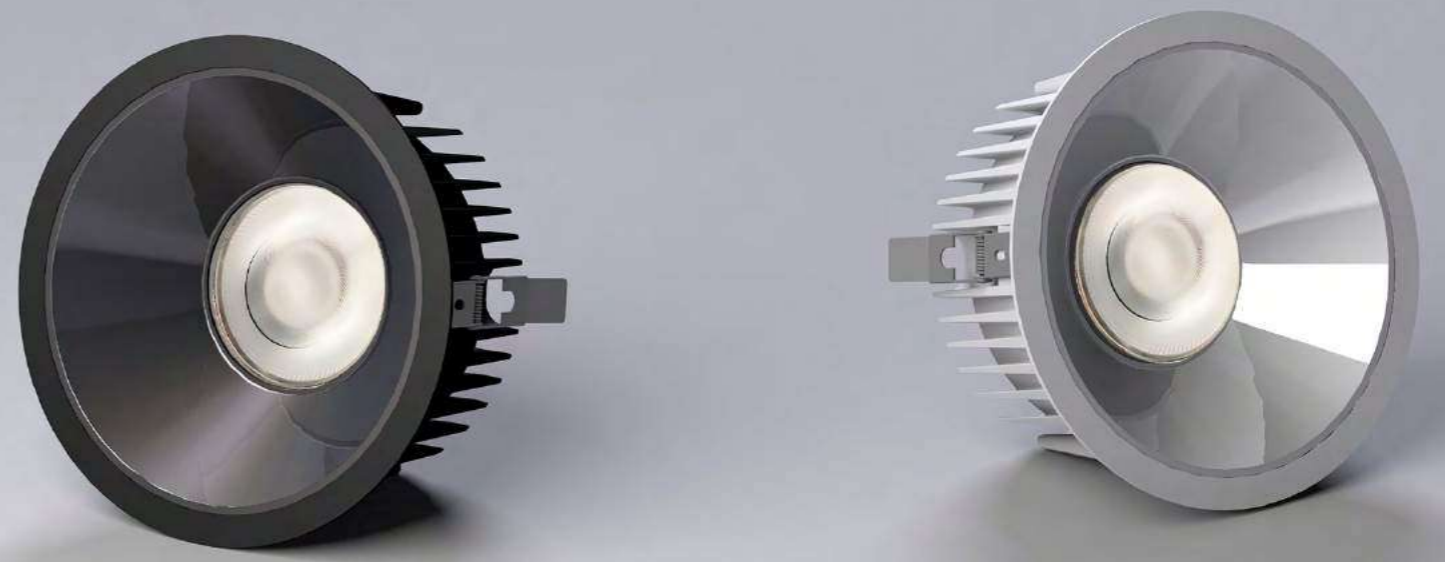
Wattage	LED Source	UGR	CRI	CCT	Input Voltage	Cut out	Driver	Size	Beam Angle
5W	Bridgelux	< 10	≥90	3000/4000 6000K	AC220-240v	Φ55	Lifud/eaglerise	Φ82*44	90°
7W	Bridgelux	< 10	≥90	3000/4000 6000K	AC220-240v	Φ75	Lifud/eaglerise	Φ92*48	90°
12W	Bridgelux	< 10	≥90	3000/4000 6000K	AC220-240v	Φ92	Lifud/eaglerise	Φ104*54	90°
18W	Bridgelux	< 10	≥90	3000/4000 6000K	AC220-240v	Φ115	Lifud/eaglerise	Φ125*56	90°
24W	Bridgelux	< 10	≥90	3000/4000 6000K	AC220-240v	Φ155	Lifud/eaglerise	Φ175*74	90°



IP65 Waterproof & Antiglare COB downlights

It is sealed with waterproof materials to prevent water from seeping into the lamp body, protection, etc
Class up to IP65 to ensure the normal operation of accessories in humid and other harsh environments.

9W/15W/20W
40W/60W | ∅70mm/100mm/140mm
200mm
开孔尺寸





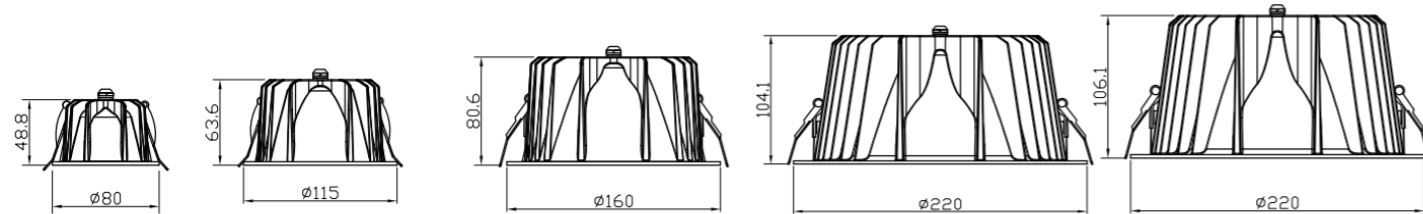
● IP65 Waterproof&Antiglare cob downlights





Cayenne

ED2001 ED2002 ED2003 ED2004 ED2005



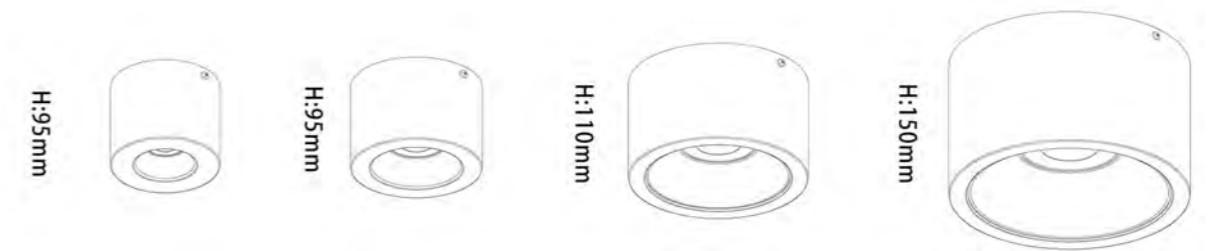
Specification

Wattage	LED Source	UGR	CRI	CCT	Input Voltage	Cut out	Driver	Size	Beam Angle
9W	Bridgelux	< 10	≥90	2700/3000/4000/5000K	AC220-240v	Φ70	Lifud/eaglerise	Φ80*48	15/24/36/55°
15W	Bridgelux	< 10	≥90	2700/3000/4000/5000K	AC220-240v	Φ100	Lifud/eaglerise	Φ115*60	15/24/36/55°
20W	Bridgelux	< 10	≥90	2700/3000/4000/5000K	AC220-240v	Φ140	Lifud/eaglerise	Φ160*75	15/24/36/55°
40W	Bridgelux	< 10	≥90	2700/3000/4000/5000K	AC220-240v	Φ200	Lifud/eaglerise	Φ215*98	15/24/36/55°
60W	Bridgelux	< 10	≥90	2700/3000/4000/5000K	AC220-240v	Φ200	Lifud/eaglerise	Φ215*108	15/24/36/55°



Cayenne

ED2001 ED2002 ED2003 ED2004 ED2005



Specification

Wattage	LED Source	UGR	CRI	CCT	Input Voltage	Cut out	Driver	Size	Beam Angle
9W	Bridgelux	< 10	≥90	2700/3000/4000/5000K	AC220-240v	Φ70	Lifud/eaglerise	Φ95*100	15/24/36/55°
15W	Bridgelux	< 10	≥90	2700/3000/4000/5000K	AC220-240v	Φ100	Lifud/eaglerise	Φ95*120	15/24/36/55°
20W	Bridgelux	< 10	≥90	2700/3000/4000/5000K	AC220-240v	Φ140	Lifud/eaglerise	Φ110*164	15/24/36/55°
40W	Bridgelux	< 10	≥90	2700/3000/4000/5000K	AC220-240v	Φ200	Lifud/eaglerise	Φ150*220	15/24/36/55°
60W	Bridgelux	< 10	≥90	2700/3000/4000/5000K	AC220-240v	Φ200	Lifud/eaglerise	Φ150*220	15/24/36/55°



Waterproof Series ■

IP65





Valhalla

ED2010 ED2011 ED2012 ED2013 ED2014

High water resistance

Commercial waterproof downlights are designed and manufactured to maintain superior water resistance in wet or humid environments. This makes them ideal for outdoor and indoor commercial locations, whether in rainy or humid conditions.

Strong durability

These downlights are typically designed with durable materials and structures to withstand everyday wear and impact in a business environment. They maintain consistent performance over a long period of time, reducing the need for maintenance and replacement.

Specification

Wattage	LED Source	UGR	CRI	CCT	Input Voltage	Cut out	Driver	Size	Beam Angle
10W	Bridgelux	< 10	≥90	3000K/4000K/5000K	AC220-240v	Φ95	Lifud/eaglerise	110*65	15/24/36/55°
15W	Bridgelux	< 10	≥90	3000K/4000K/5000K	AC220-240v	Φ115	Lifud/eaglerise	130*71	15/24/36/55°
20W	Bridgelux	< 10	≥90	3000K/4000K/5000K	AC220-240v	Φ140	Lifud/eaglerise	165*82	15/24/36/55°
30W	Bridgelux	< 10	≥90	3000K/4000K/5000K	AC220-240v	Φ170	Lifud/eaglerise	195*100	15/24/36/55°
50W	Bridgelux	< 10	≥90	3000K/4000K/5000K	AC220-240v	Φ200	Lifud/eaglerise	230*117	15/24/36/55°





Ghibli

ED2015 ED2016 ED2017 ED2018 ED2019 ED2020

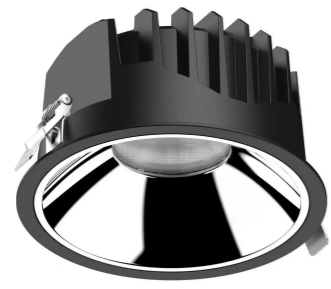
Characterized by high water resistance and robust durability, commercial waterproof downlights are purposefully designed and manufactured to excel in wet or humid environments. This makes them well-suited for both outdoor and indoor commercial settings, performing reliably in rainy or humid conditions.

Constructed with durable materials and sturdy structures, these downlights are built to withstand the daily wear and impact encountered in business environments. Their resilience ensures consistent performance over an extended period, thereby reducing the need for frequent maintenance and replacements.

Specification

Wattage	LED Source	UGR	CRI	CCT	Input Voltage	Cut out	Driver	Size	Beam Angle
10W	Bridgelux	< 10	≥90	3000K/4000K/5000K	AC220-240v	Φ75	Lifud/eaglerise	86*90	15/24/36/55°
15W	Bridgelux	< 10	≥90	3000K/4000K/5000K	AC220-240v	Φ90	Lifud/eaglerise	110*100	15/24/36/55°
20W	Bridgelux	< 10	≥90	3000K/4000K/5000K	AC220-240v	Φ125	Lifud/eaglerise	135*110	15/24/36/55°
30W	Bridgelux	< 10	≥90	3000K/4000K/5000K	AC220-240v	Φ170	Lifud/eaglerise	180*120	15/24/36/55°
50W	Bridgelux	< 10	≥90	3000K/4000K/5000K	AC220-240v	Φ190	Lifud/eaglerise	210*140	15/24/36/55°
60W	Bridgelux	< 10	≥90	3000K/4000K/5000K	AC220-240v	Φ220	Lifud/eaglerise	242*143	15/24/36/55°





Ghibli

ED2021 ED2022 ED2023 ED2024 ED2025

High water resistance

Commercial waterproof downlights are designed and manufactured to maintain superior water resistance in wet or humid environments. This makes them ideal for outdoor and indoor commercial locations, whether in rainy or humid conditions.

Strong durability

These downlights are typically designed with durable materials and structures to withstand everyday wear and impact in a business environment. They maintain consistent performance over a long period of time, reducing the need for maintenance and replacement.

Specification

Wattage	LED Source	UGR	CRI	CCT	Input Voltage	Cut out	Driver	Size	Beam Angle
10W	Bridgelux	< 10	≥90	3000K/4000K/5000K	AC220-240v	Φ75	Lifud/eaglerise	86*55	15/24/36/55°
18W	Bridgelux	< 10	≥90	3000K/4000K/5000K	AC220-240v	Φ90	Lifud/eaglerise	101*60	15/24/36/55°
20W	Bridgelux	< 10	≥90	3000K/4000K/5000K	AC220-240v	Φ125	Lifud/eaglerise	140*73	15/24/36/55°
30W	Bridgelux	< 10	≥90	3000K/4000K/5000K	AC220-240v	Φ165	Lifud/eaglerise	180*94	15/24/36/55°
50W	Bridgelux	< 10	≥90	3000K/4000K/5000K	AC220-240v	Φ200	Lifud/eaglerise	214*110	15/24/36/55°





Cupid Series

ED4001 ED4002 ED4003 ED4004 ED4005

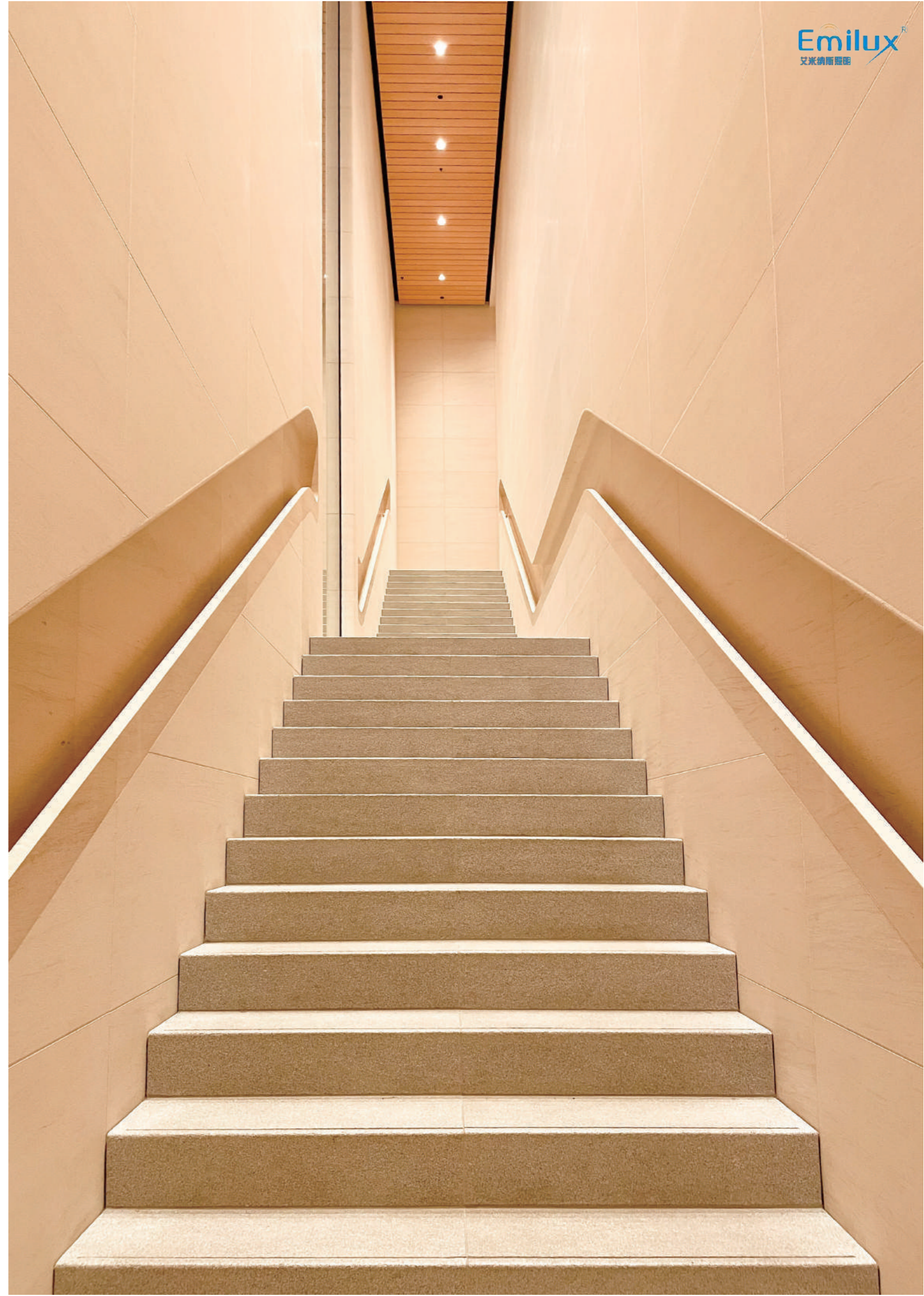
Introducing our Gimbal Downlight – a sophisticated and stylish lighting solution that elevates any space. Engineered with versatility in mind, this fixture offers easy adjustment and angling, allowing you to precisely direct light where it's needed. Crafted from high-quality materials for durability, the Gimbal Downlight boasts a modern minimalist design. Choose from finishes like brushed nickel, black, and white, and customize it to seamlessly blend with any decor.

Installation is a breeze with the included standard mounting hardware, and maintenance is simple thanks to the easy-to-replace bulb. Available in various wattages and color temperatures, each unit can be tailored to suit your lighting preferences. Ideal for accentuating architectural features, illuminating task areas, or creating layered lighting effects, our Gimbal Downlights add depth and warmth to your spaces.

Don't wait – enhance your lighting fixtures today with our Gimbal Downlights. Their sleek design and adjustable features make them a versatile and valuable addition to any home or workspace, marrying beauty with functionality. Transform your space into a haven of style and illumination with the contemporary flair of our Gimbal Downlights.

Specification

Wattage	LED Source	UGR	CRI	CCT	Input Voltage	Cut out	Driver	Size	Beam Angle
7W	Bridgelux	<10	≥90	3000/4000/5000K	AC220-240v	Φ75	Lifud/eaglerise	86	15/24/36/55°
15W	Bridgelux	<10	≥90	3000/4000/5000K	AC220-240v	Φ95	Lifud/eaglerise	114	15/24/36/55°
25W	Bridgelux	<10	≥90	3000/4000/5000K	AC220-240v	Φ125	Lifud/eaglerise	140	15/24/36/55°
35W	Bridgelux	<10	≥90	3000/4000/5000K	AC220-240v	Φ145	Lifud/eaglerise	165	15/24/36/55°
50W	Bridgelux	<10	≥90	3000/4000/5000K	AC220-240v	Φ175	Lifud/eaglerise	190	15/24/36/55°







Ceiling-Mounted Down lights

Unique corner shape, avantgarde and simple. The surface adopts high-temperature paint baking technology
It has strong rust resistance and bright appearance. It is used in modern simple decoration style.

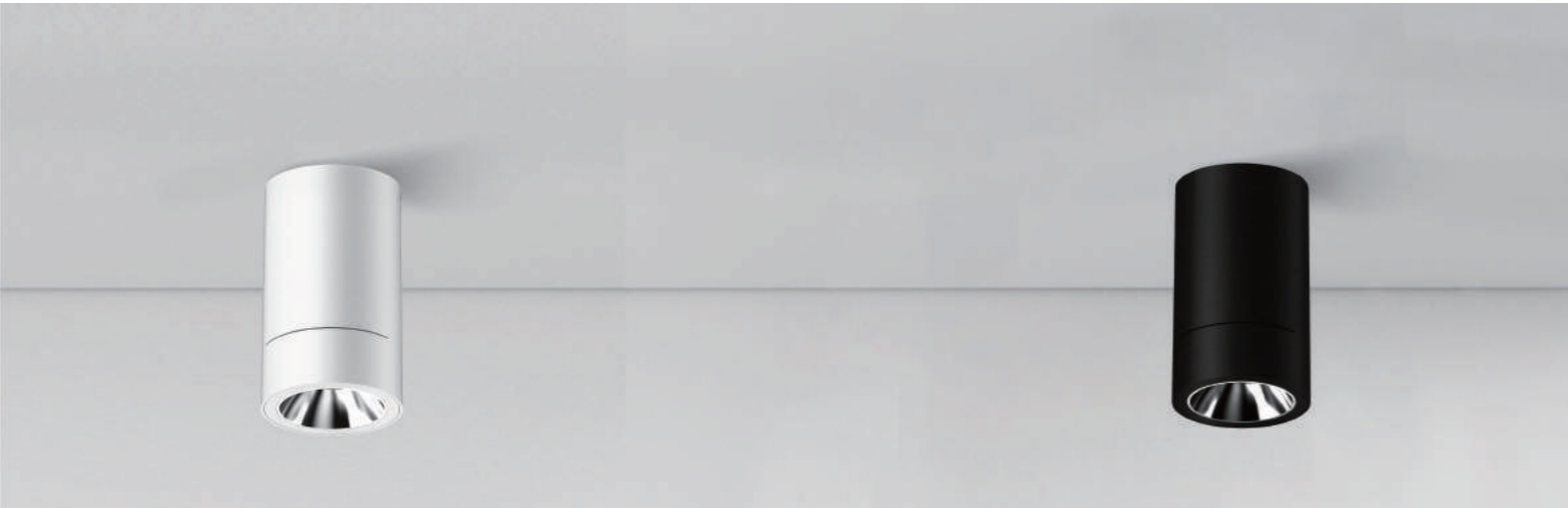


Application

Interesting lamps like Lego can be freely matched with colorful decorative front rings to create comfort with deep anti-glare
Suitable for interesting light environment. Suitable for home, villa, club and other places.



Ceiling-Mounted Down lights



SPECIFICATIONS

ES3004

Power	Size	CCT	Beam angle	LM	CRI
6W	65*135mm	3000K/4000K 5000K	15/24/38°	70-75lm/W	90

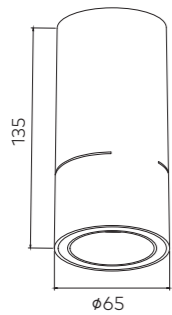
ES3005

Power	Size	CCT	Beam angle	LM	CRI
12W	90*150mm	3000K/4000K 5000K	15/24/38°	70-75lm/W	90

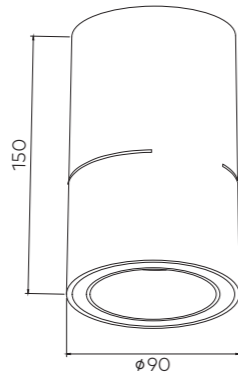
ES3006

Power	Size	CCT	Beam angle	LM	CRI
20W	107*197mm	3000K/4000K 5000K	15/24/38°	70-75lm/W	90

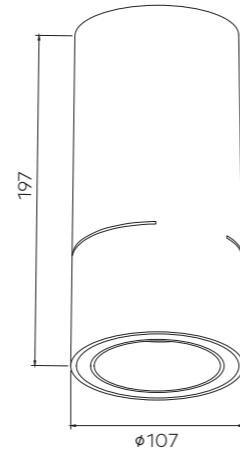
● ES3004



● ES3005



● ES3006



TECHNICAL DETAILS

Material

aluminium die casting

Optic

Lens

Driver

Lifud/Eaglerise/Philips/OSRAM/TRIDONIC

Light distributions



Control

silicon controlled dimme/1-10V/DALI

Light source

Bridgelux/OSRAM/CREE

Input voltage

AC220-240v

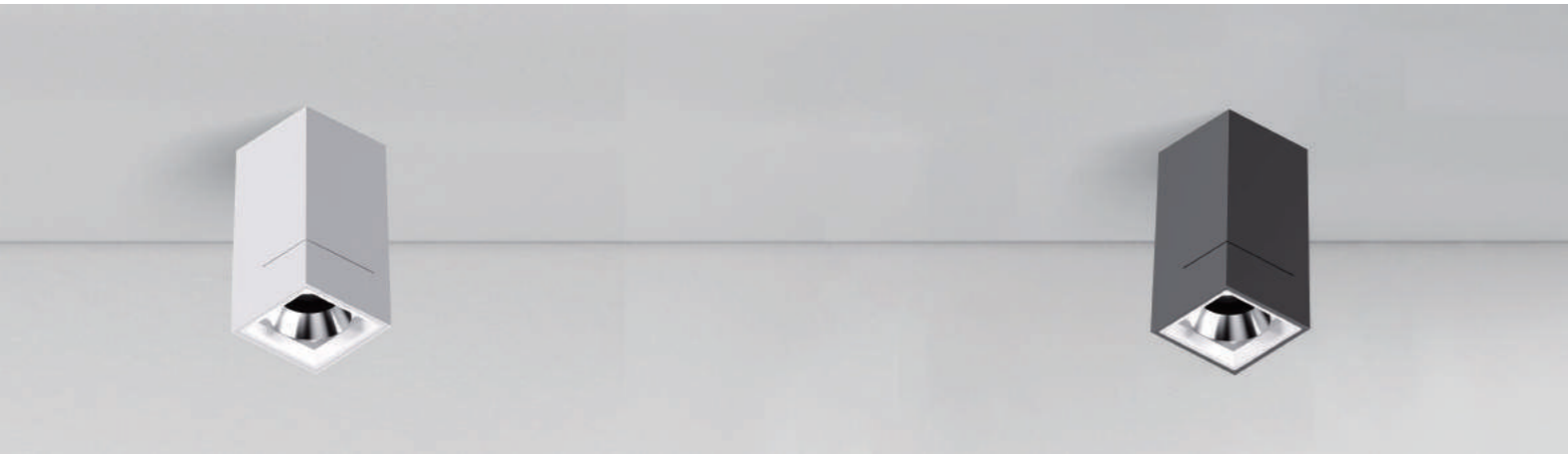
Can do breathing lamp effect



Ceiling down lights can also be dazzling outdoors



Ceiling-Mounted Down lights



SPECIFICATIONS

ES3007

Power	Size	CCT	Beam angle	LM	CRI
6W	59*59*135.7mm	3000K/4000K 5000K	15/24/38°	70-75lm/W	90

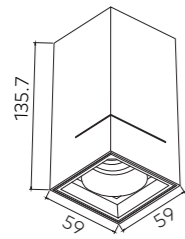
ES3008

Power	Size	CCT	Beam angle	LM	CRI
12W	78.3*78.3*150mm	3000K/4000K 5000K	15/24/38°	70-75lm/W	90

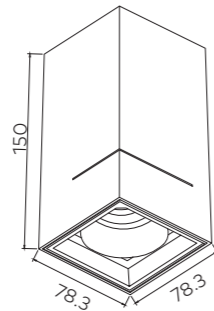
ES3009

Power	Size	CCT	Beam angle	LM	CRI
20W	98.9*98.9*195.3mm	3000K/4000K 5000K	15/24/38°	70-75lm/W	90

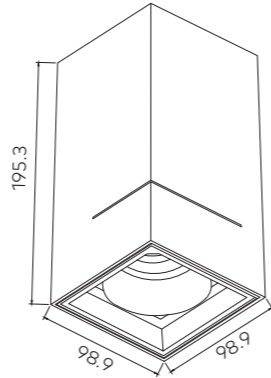
● ES3007



● ES3008



● ES3009



TECHNICAL DETAILS

Material

aluminium die casting

Optic

Lens

Driver

Lifud/Eaglerise/Philips/OSRAM/TRIDONIC

Light distributions



Control

silicon controlled dimme/1-10V/DALI

Light sourc

Bridgelux/OSRAM/CREE

Input voltage

AC220-240v

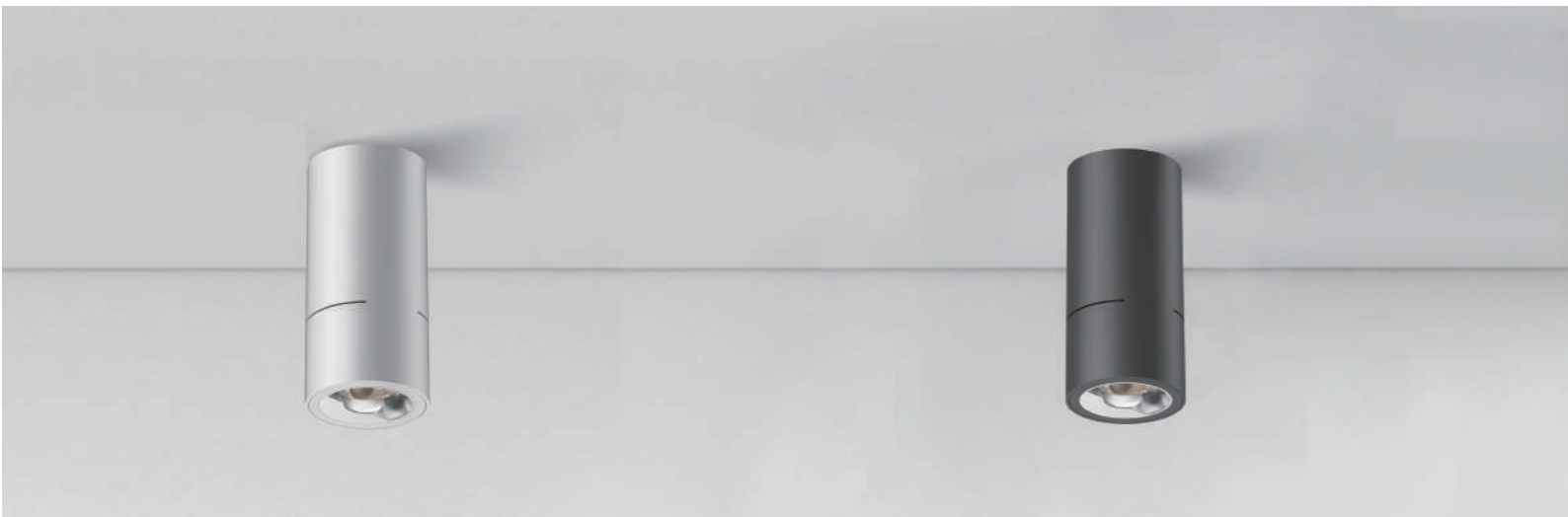
Can do breathing lamp effect



Even simple corridors can be simple and elegant under the light of ceiling downlight



Ceiling-Mounted Down lights



SPECIFICATIONS

ES3010

Power	Size	CCT	Beam angle	LM	CRI
6W	65*135mm	3000K/4000K 5000K	15/24/38°	70-75lm/W	90

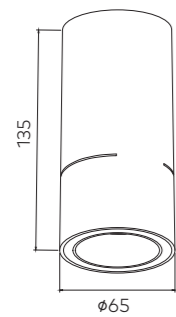
ES3011

Power	Size	CCT	Beam angle	LM	CRI
12W	90*150mm	3000K/4000K 5000K	15/24/38°	70-75lm/W	90

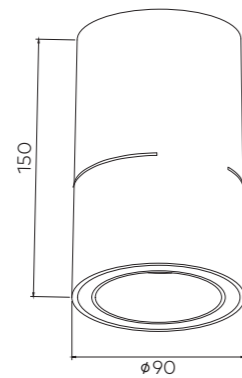
ES3012

Power	Size	CCT	Beam angle	LM	CRI
20W	107*197mm	3000K/4000K 5000K	15/24/38°	70-75lm/W	90

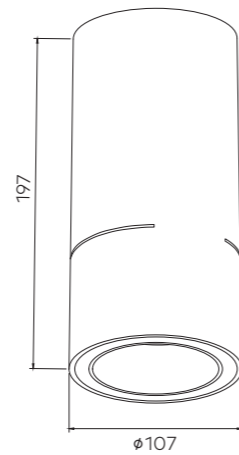
● ES3010



● ES3011



● ES3012



TECHNICAL DETAILS

Material

aluminium die casting

Optic

Lens

Driver

Lifud/Eaglerise/Philips/OSRAM/TRIDONIC

Light distributions



Control

silicon controlled dimme/1-10V/DALI

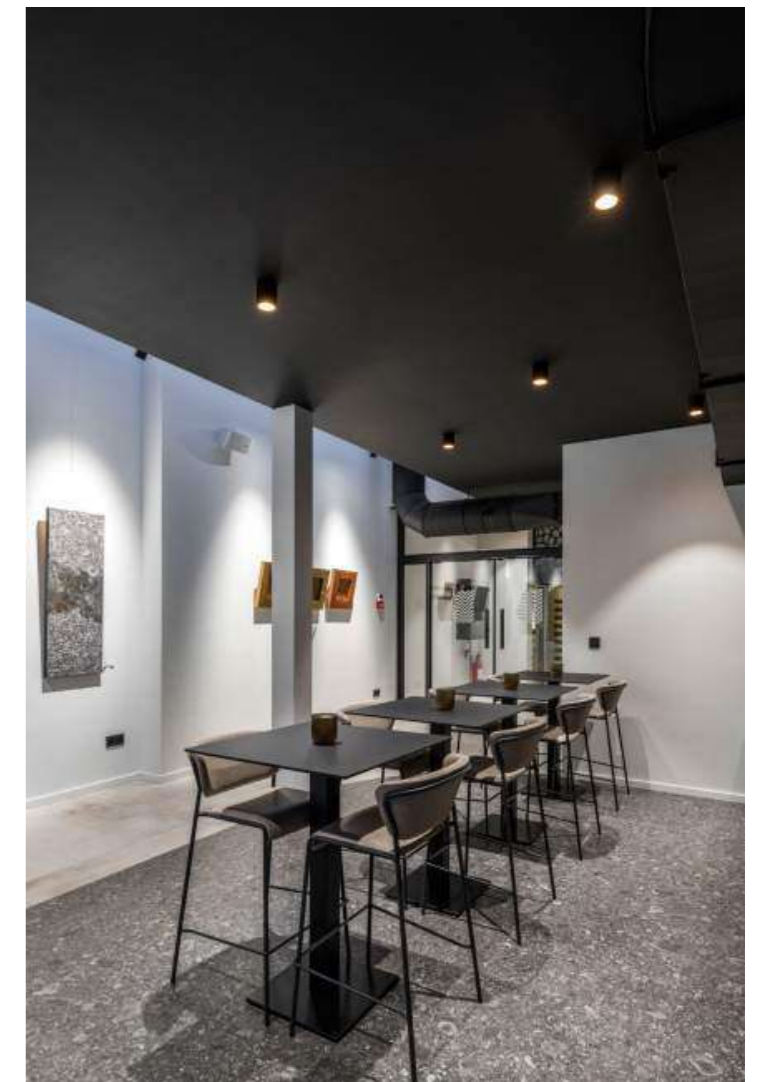
Light source

Bridgelux/OSRAM/CREE

Input voltage

AC220-240v

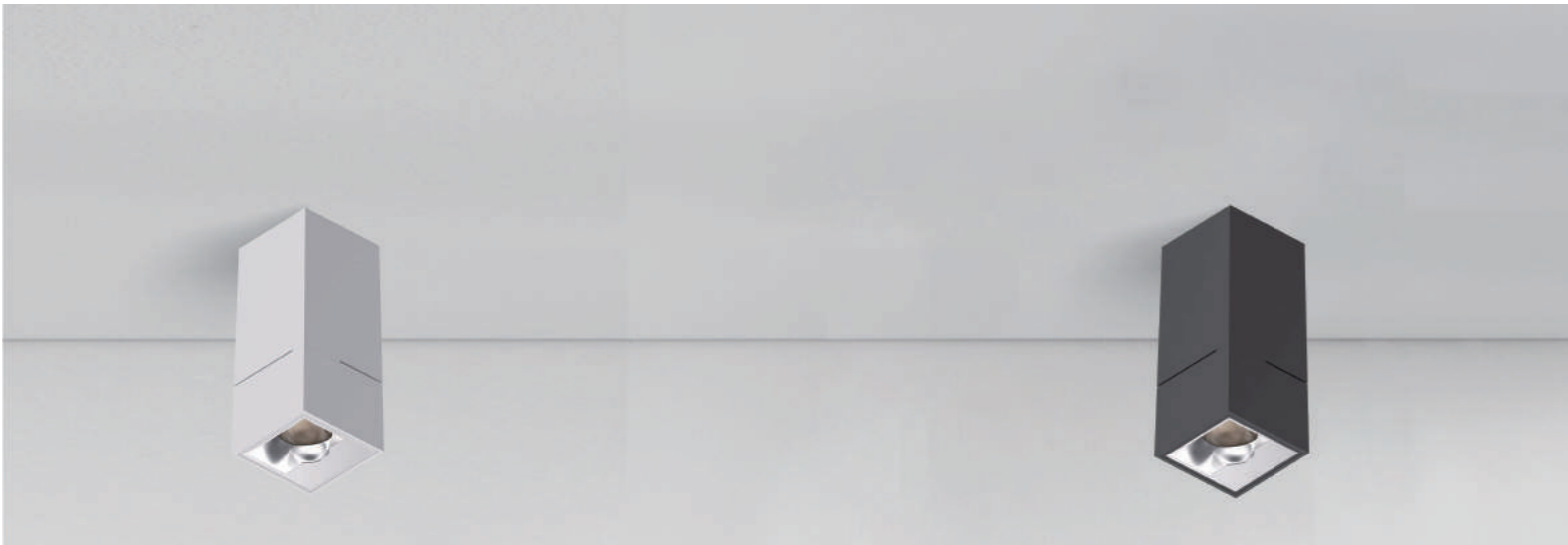
Can do breathing lamp effect



Take a rest and enjoy the light bath



Ceiling-Mounted Down lights



SPECIFICATIONS

ES3013

Power	Size	CCT	Beam angle	LM	CRI
6W	59*59*135.7mm	3000K/4000K 5000K	15/24/38°	70-75lm/W	90

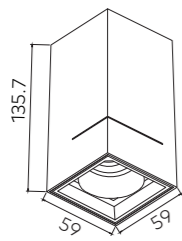
ES3014

Power	Size	CCT	Beam angle	LM	CRI
12W	78.3*78.3*150mm	3000K/4000K 5000K	15/24/38°	70-75lm/W	90

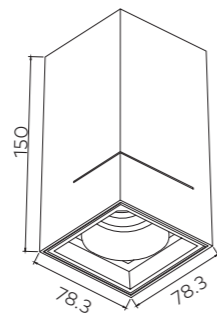
ES3015

Power	Size	CCT	Beam angle	LM	CRI
20W	98.9*98.9*195.3mm	3000K/4000K 5000K	15/24/38°	70-75lm/W	90

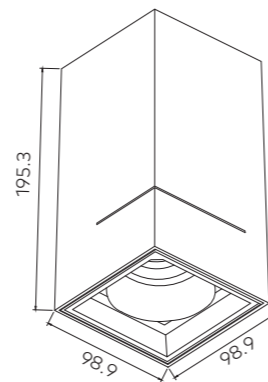
● ES3013



● ES3014



● ES3015



TECHNICAL DETAILS

Material
aluminium die casting

Optic
Lens

Driver
Lifud/Eaglerise/Philips/OSRAM/TRIDONIC

Light distributions

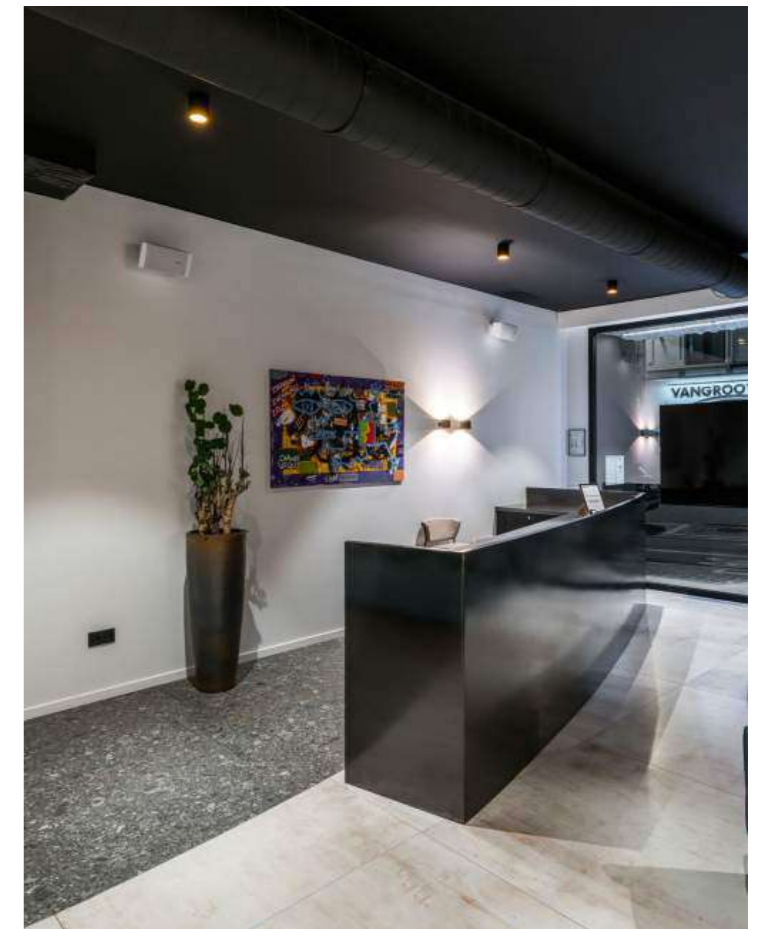


Control
silicon controlled dimme/1-10V/DALI

Light sourc
Bridgelux/OSRAM/CREE

Input voltage
AC220-240v

Can do breathing lamp effect

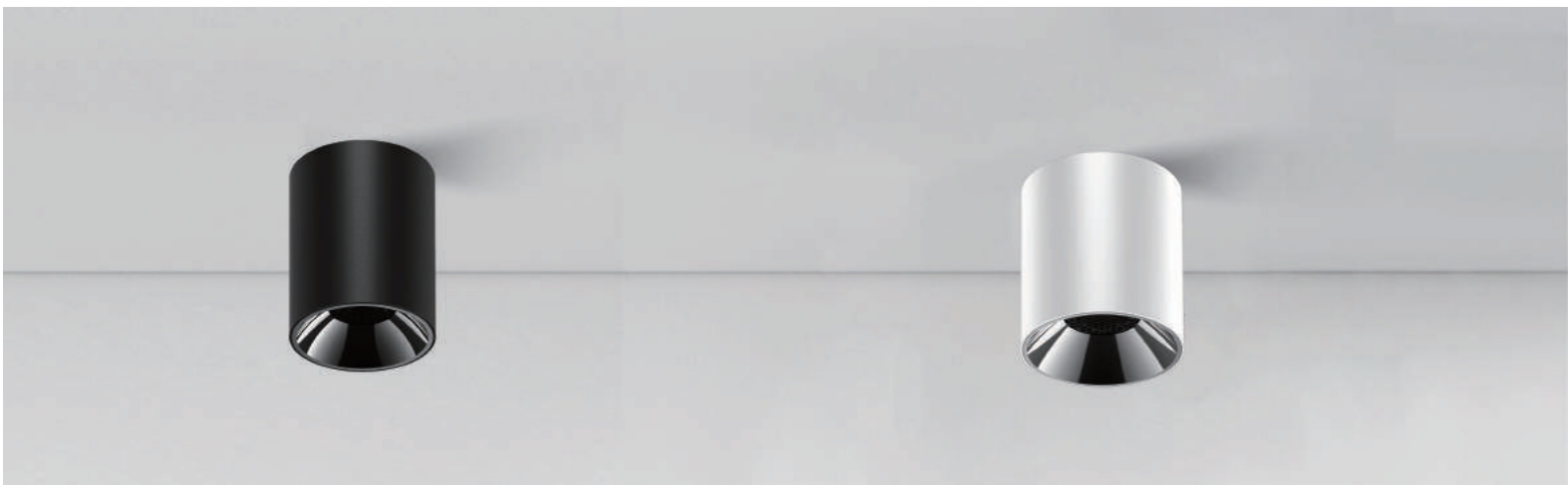


The brilliance under the front desk shows a professional image

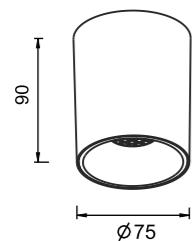




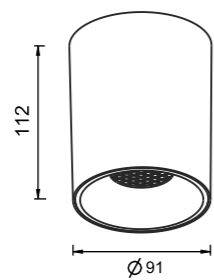
Surface mounted downlight



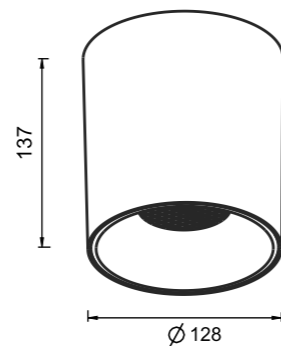
● ES3001



● ES3002



● ES3003



TECHNICAL DETAILS

Material

aluminium die casting

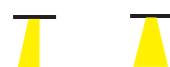
Optic

Lens

Driver

Lifud/Eaglerise/Philips/OSRAM/TRIDONIC

Light distributions



Control

silicon controlled dimme/1-10V/DALI

Light source

Bridgelux/OSRAM/CREE

Input voltage

AC220-240v

Can do breathing lamp effect

SPECIFICATIONS

ES3001

Power	Size	CCT	Beam angle	LM	CRI
10W	75*90mm	3000K/4000K 5000K	12/24/38/55°	75mm	90
15W(Max)					

ES3002

Power	Size	CCT	Beam angle	LM	CRI
18W	91*112mm	3000K/4000K 5000K	12/24/38/55°	91mm	90
20W(Max)					

ES3003

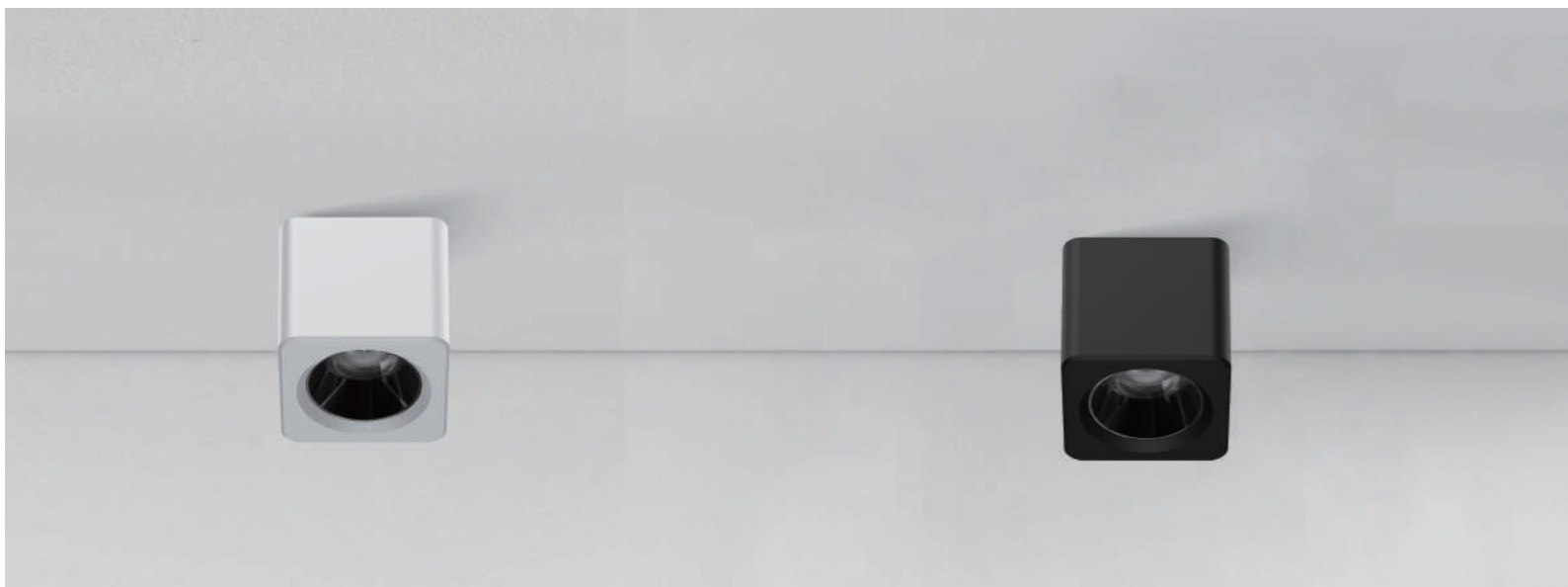
Power	Size	CCT	Beam angle	LM	CRI
30W	128*137mm	3000K/4000K 5000K	12/24/38/55°	128mm	90
35W(Max)					



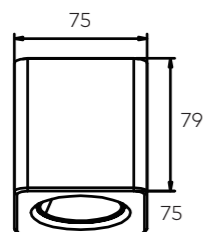
The dark and quiet corridor radiates light



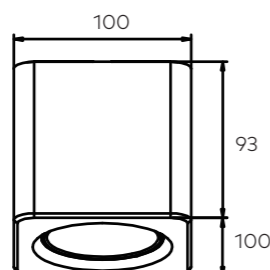
Surface mounted downlight



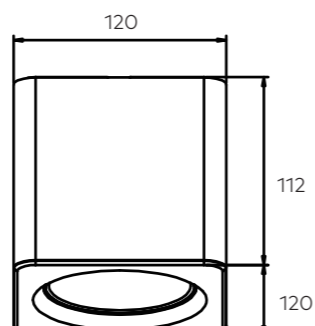
● ES3001-1



● ES3002-1



● ES3003-1



TECHNICAL DETAILS

Material

aluminium die casting

Optic

Lens

Driver

Lifud/Eaglerise/Philips/OSRAM/TRIDONIC

Light distributions



Control

silicon controlled dimme/1-10V/DALI

Light sourc

Bridgelux/OSRAM/CREE

Input voltage

AC220-240v

Can do breathing lamp effect

SPECIFICATIONS

产品规格

ES3001-1

Power	Size	CCT	Beam angle	LM	CRI
5W	75*75*90mm	3000K/4000K 5000K	12/24/36/55°	75mm	90
8W(Max)					

ES3002-1

Power	Size	CCT	Beam angle	LM	CRI
10W	100*100*93mm	3000K/4000K 5000K	12/24/36/55°	100mm	90
15W(Max)					

ES3003-1

Power	Size	CCT	Beam angle	LM	CRI
20W	120*120*112mm	3000K/4000K 5000K	12/24/36/55°	120mm	90
24W(Max)					



The warmth of going home saw a little light



Surface mounted downlight

SPECIFICATIONS

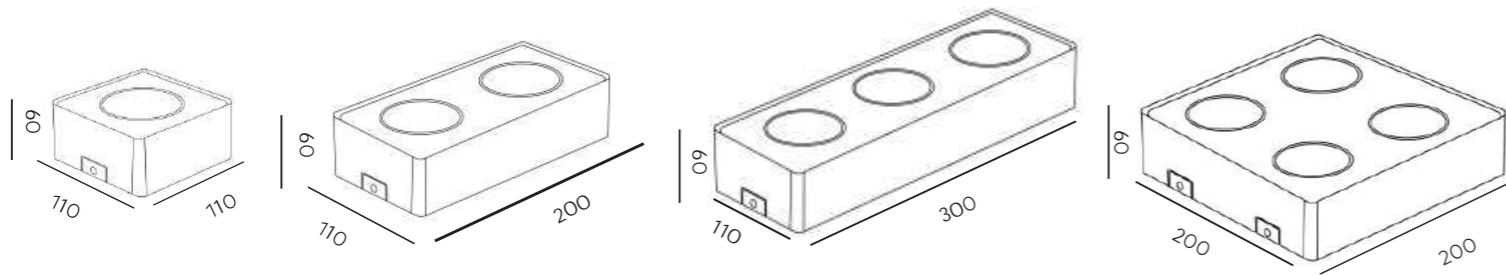


● ED3043

● ES3044

● ES3045

● ES3046



TECHNICAL DETAILS

Material aluminium die casting	Control silicon controlled dimme/1-10V/DALI
Optic Lens	Light sourc Bridgelux/OSRAM/CREE
Driver Lifud/Eaglerise/Philips/OSRAM/TRIDONIC	Input voltage AC220-240v
Light distributions 	Can do breathing lamp effect

ES3043

Power	Size	CCT	Beam angle	LM	CRI
10W	110*110*60mm	3000K/4000K 5000K	12/24/36/50°	70-75lm/W	90
18W(Max)					

ES3044

Power	Size	CCT	Beam angle	LM	CRI
10W*2	200*110*60mm	3000K/4000K 5000K	12/24/36/50°	70-75lm/W	90
18W*2(Max)					

ES3045

Power	Size	CCT	Beam angle	LM	CRI
10W*3	300*110*60mm	3000K/4000K 5000K	12/24/36/50°	70-75lm/W	90
18W*3(Max)					

ES3046

Power	Size	CCT	Beam angle	LM	CRI
10W*4	200*200*60mm	3000K/4000K 5000K	12/24/36/50°	70-75lm/W	90
18W*4(Max)					



Guide focusing series

Telescopic rotation adjustment, accurate light gathering, no glare. Thickened Seiko aluminum lamp body, Seiko construction, surface High temperature paint baking process shows excellent quality.



CLASSIC		Price	Unit
黑茶	Black Tea	30	35
茉莉花茶	Jasmine Tea	30	35
乌龙茶	Oolong Tea	30	35
普洱茶	Puer with Black Tea	35	40
普洱茶	Puer Tea	40	45

LE THE AU LAIT		Price	Unit
鲜奶茶	Fresh Milk Tea	55	60
鲜奶茉莉茶	Fresh Jasmine Milk Tea	55	60
鲜奶乌龙茶	Fresh Oolong Milk Tea	55	60
鲜奶普洱茶	Fresh Puer with Milk Tea	60	70
鲜奶普洱茶	Fresh Puer Milk Tea	65	75

PREMIUM		Price	Unit
日月潭黑茶	Sun Moon Lake Black Tea	100	
特选武夷茶	Selected Oolong	80	
冻顶乌龙	Selected Jasmine	80	
90年代普洱	Aged Puer	100	
东方美人	Oriental Beauty	100	
冻顶乌龙	Tung-Ting	100	

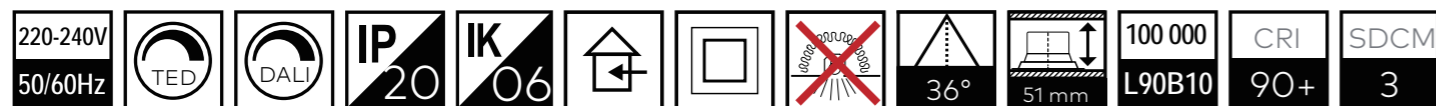
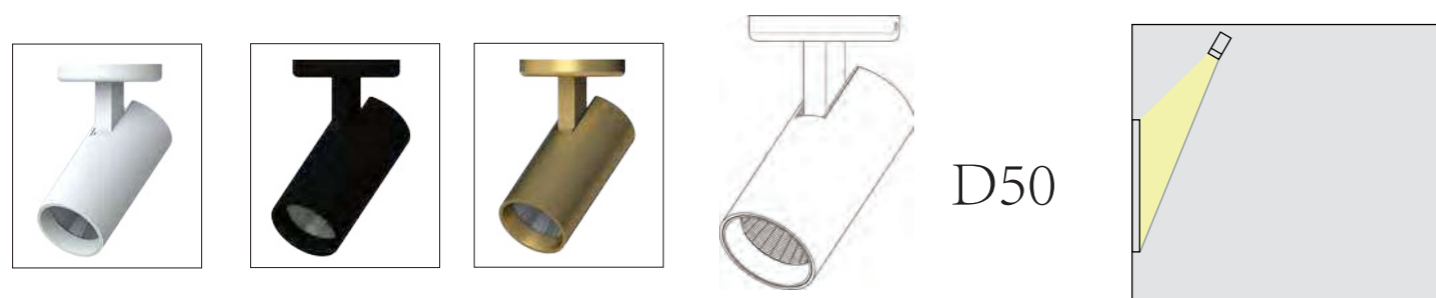
COLD BREW		Price	Unit
冷泡茶	Oolong Tea	50	
冷泡茶	Jasmine Tea	50	



DOB

TRACK SPOT LIGHT(Ceiling)

1. Enjoy unrestricted movement and adaptable lighting with the ability to reposition the lamp head, providing flexible illumination and adjustable light source density.
2. Achieve versatile lighting effects through the flexible adjustment of the lamp's direction, allowing for the creation of diverse and rich lighting effects.
3. Seamlessly respond to various lighting needs with different types of track lights tailored for spaces with varying ceiling heights. Enhance the overall aesthetic appeal by selecting the right track light to complement different areas within the space.



Wattage	Efficacy	CRI	CCT	Input Voltage	Dimension (MM)	LED Style	Beam Angle
8W	80lm/W	≥90	3000K 4000K	AC220-240v	φ50*L135mm	DOB	38°
12W	80lm/W	≥90	3000K 4000K	AC220-240v	φ50*L160mm	DOB	38°
15W	80lm/W	≥90	3000K 4000K	AC220-240v	φ60*L163mm	DOB	38°

Model No: ET1023 ET1024 ET1025



DOB TRACK SPOT LIGHT(embed)

1. Experience unrestricted movement and adaptable lighting as the lamp head's position can be easily adjusted, allowing for flexible illumination and the ability to fine-tune light source density.
2. Achieve versatile lighting effects by changing the direction of light, enabling the creation of diverse and sophisticated lighting effects.
3. Tailor your lighting solutions to specific spaces with varying storey heights by choosing from different types of track lights. The overall effect is a harmonious match with the unique characteristics of each space.



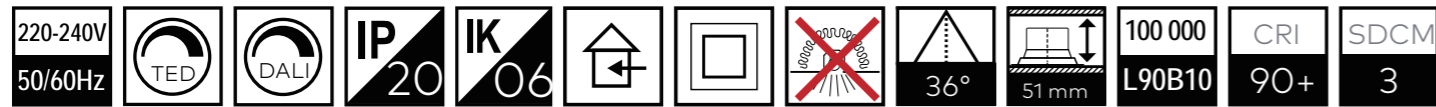
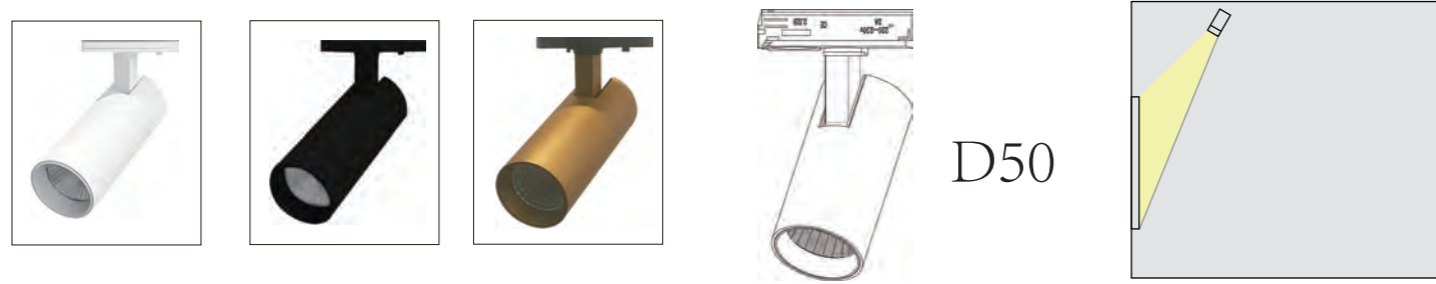
Wattage	Driver	Efficacy	CRI	CCT	Input Voltage	Hole Cut	LED Source	Size	Beam Angle
8W	OSRAM	80lm/W	≥90	3000K 4000K	AC220-240v	φ50mm	Bridgelux/CREE /OSRAM	φ50*L135mm	38°
12W	OSRAM	80lm/W	≥90	3000K 4000K	AC220-240v	φ50mm	Bridgelux/CREE /OSRAM	φ50*L160mm	38°
15W	OSRAM	80lm/W	≥90	3000K 4000K	AC220-240v	φ50mm	Bridgelux/CREE /OSRAM	φ60*L163mm	38°

Model No:ET1023 ET1024 ET1025



DOB TRACK SPOT LIGHT(one phase)

1. Enjoy unrestricted movement and customizable lighting with the ability to reposition the lamp head, offering flexible illumination and adjustable light source density.
2. Achieve versatile lighting effects by altering the direction of light, enabling the creation of diverse and intricate lighting patterns.
3. Seamlessly adapt to various spaces with different storey heights by selecting specific types of track lights. Ensure a cohesive aesthetic by matching the overall lighting scheme to the unique characteristics of each space.



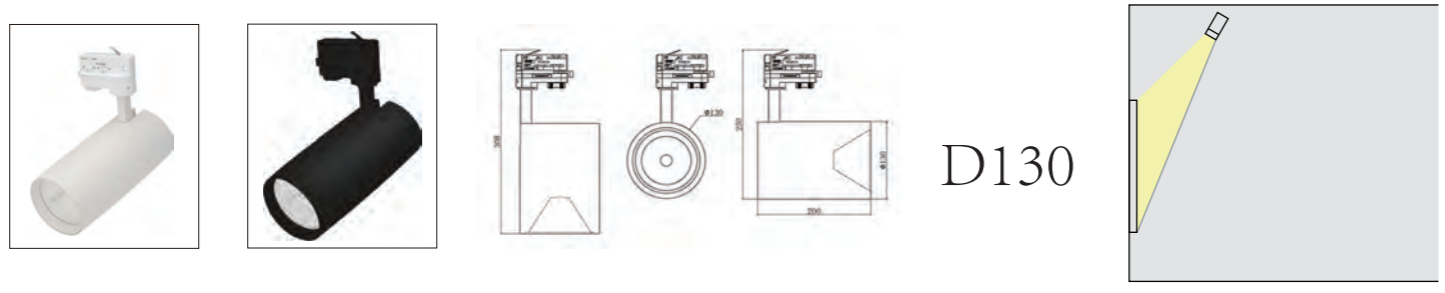
Wattage	Driver	Efficacy	CRI	CCT	Input Voltage	Dimension (MM)	LED Source	Size	Beam Angle
8W	OSRAM	80lm/W	≥90	3000K 4000K	AC220-240v	φ50mm	Bridgelux/CREE /OSRAM	φ50*L135mm	38°
12W	OSRAM	80lm/W	≥90	3000K 4000K	AC220-240v	φ50mm	Bridgelux/CREE /OSRAM	φ50*L160mm	38°
15W	OSRAM	80lm/W	≥90	3000K 4000K	AC220-240v	φ50mm	Bridgelux/CREE /OSRAM	φ60*L163mm	38°

Model No:ET1023 ET1024 ET1025



4 Wires 3 Phase TRACK SPOT LIGHTS 130LM/W

- 01 Free movement and flexible lighting
It can move the position of the lamp head, flexibly illuminate and adjust the light source density.
- 02 Flexible adjustment of shooting effect
It can change the direction of light and create rich light effects.
- 03 Accidental response of different lamp types
Different types of track lights are applicable to different spaces with different storey heights, and the overall effect of matching spaces



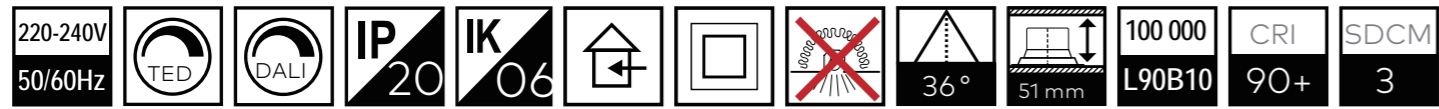
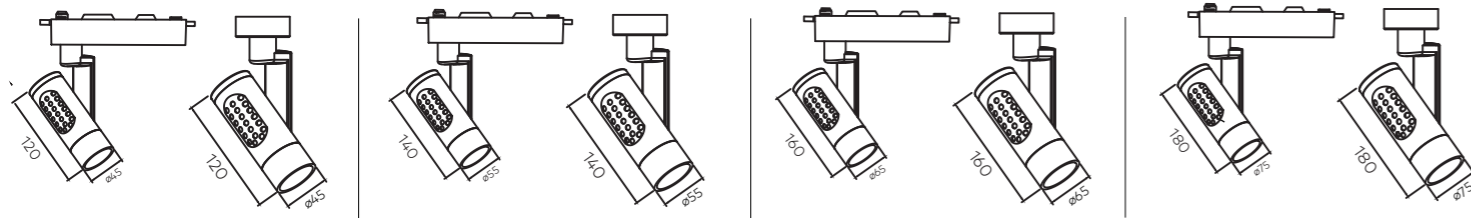
220-240V 50/60Hz	TED	DALI	20	IK06	IP20	36°	51mm	100 000 L90B10	CRI 90+	SDCM 3
---------------------	-----	------	----	------	------	-----	------	-------------------	------------	-----------

Wattage	Driver	Efficacy	CRI	CCT	Input Voltage	Dimension (MM)	LED Source	Size	Beam Angle
40W	OSRAM	130lm/W	≥90	3000K 4000K	AC220-240v	φ130mm	Bridgelux/CREE /OSRAM	φ50*L135mm	15°/24°38°/60°
65W	OSRAM	130lm/W	≥90	3000K 4000K	AC220-240v	φ130mm	Bridgelux/CREE /OSRAM	φ50*L135mm	15°/24°38°/60°





Guide light series ET1001/1002/1003/1004



Wattage	Driver	Efficacy	CRI	CCT	Input Voltage	Dimension (MM)	LED Source	Size	Beam Angle
10W	OSRAM	90lm/W	≥90	3000K 4000K	AC220-240v	φ130mm	Bridgelux/CREE /OSRAM	φ45*L120mm	15°/24°38°
20W	OSRAM	90lm/W	≥90	3000K 4000K	AC220-240v	φ130mm	Bridgelux/CREE /OSRAM	φ55*L140mm	15°/24°38°
30W	OSRAM	90lm/W	≥90	3000K 4000K	AC220-240v	φ130mm	Bridgelux/CREE /OSRAM	φ65*L160mm	15°/24°38°
40W	OSRAM	90lm/W	≥90	3000K 4000K	AC220-240v	φ130mm	Bridgelux/CREE /OSRAM	φ75*L180mm	15°/24°38°



Guide light series ET1005 ET1006 ET1007

01 Free movement and flexible lighting

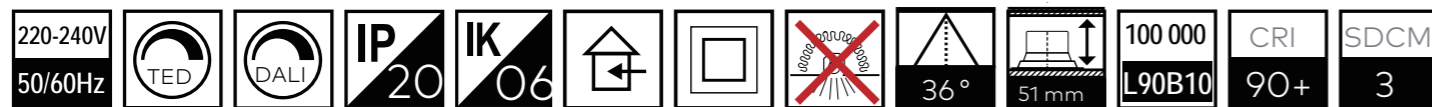
It can move the position of the lamp head, flexibly illuminate and adjust the light source density.

02 Flexible adjustment of shooting effect

It can change the direction of light and create rich light effects.

03 Accidental response of different lamp types

Different types of track lights are applicable to different spaces with different storey heights, and the overall effect of matching spaces

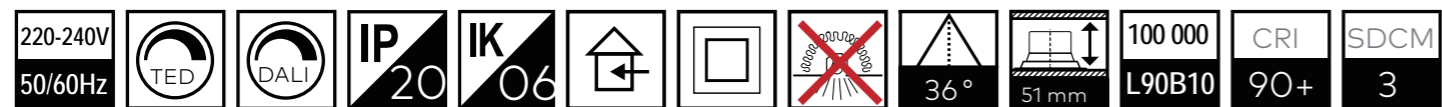
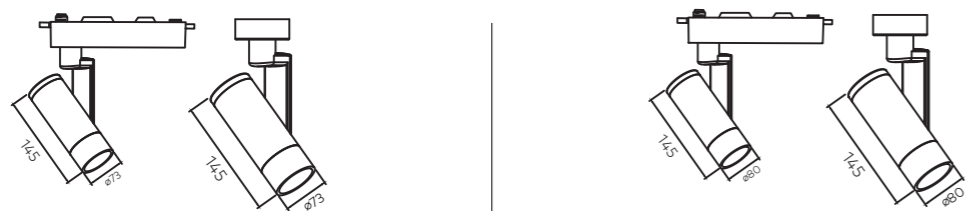


Wattage	Driver	Efficacy	CRI	CCT	Input Voltage	Optical Solution	LED Source	Size	Beam Angle
20W	OSRAM	90lm/W	≥90	3000K 4000K	AC220-240v	reflector	Bridgelux/CREE /OSRAM	φ67*165mm	15/24/38°
30W	OSRAM	90lm/W	≥90	3000K 4000K	AC220-240v	reflector	Bridgelux/CREE /OSRAM	φ80*195mm	15/24/38°
40W	OSRAM	90lm/W	≥90	3000K 4000K	AC220-240v	reflector	Bridgelux/CREE /OSRAM	φ95*103mm	15/24/38°



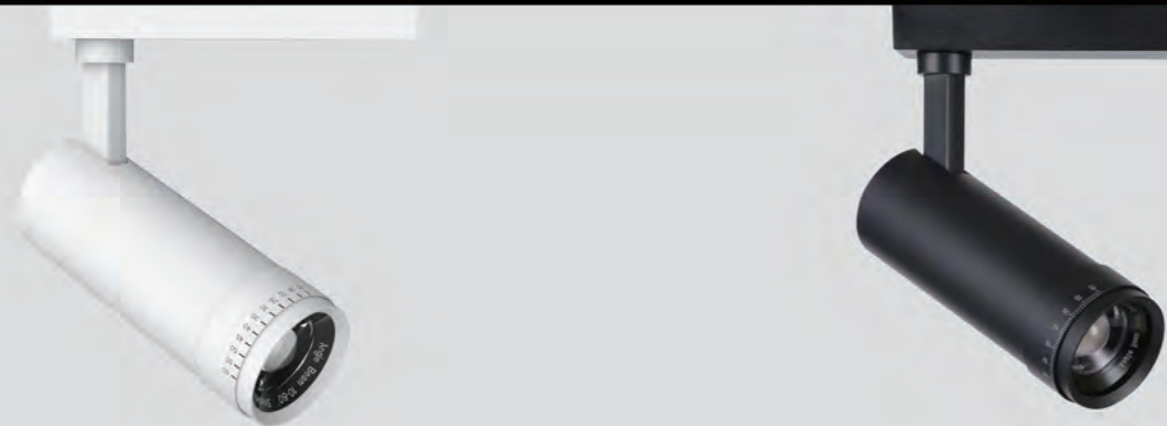


Guide light series ET1021/1022

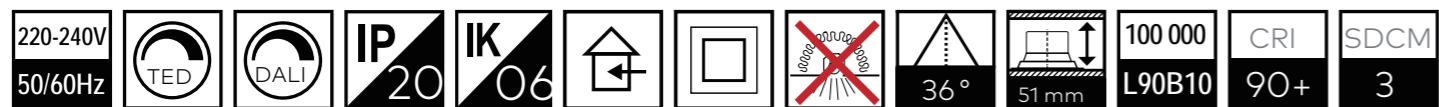
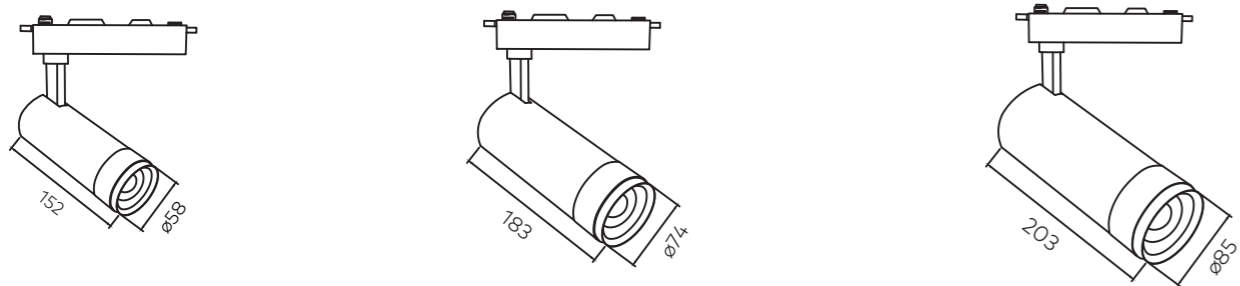


Wattage	Driver	Efficacy	CRI	CCT	Input Voltage	Dimension (MM)	LED Source	Size	Beam Angle
30W	OSRAM	90lm/W	≥90	3000K 4000K	AC220-240v	φ130mm	Bridgelux/CREE /OSRAM	φ73*145mm	15°/24°38°
35W	OSRAM	90lm/W	≥90	3000K 4000K	AC220-240v	φ130mm	Bridgelux/CREE /OSRAM	φ80*145mm	15°/24°38°



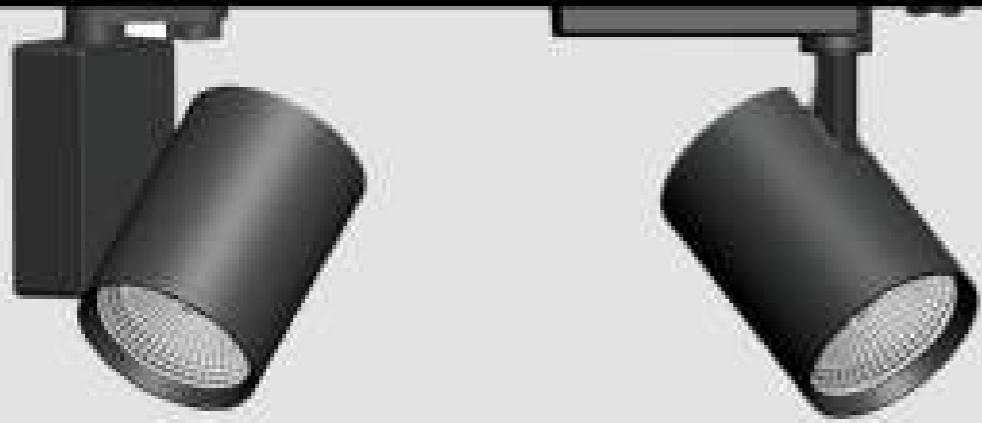


Guide light series EG2001/2002/2003



Wattage	Driver	Efficacy	CRI	CCT	Input Voltage	Dimension (MM)	LED Source	Size	Beam Angle
15W	OSRAM	90lm/W	≥90	3000K 4000K	AC220-240v	φ58mm	Bridgelux/CREE /OSRAM	φ58*152mm	10-60°
25W	OSRAM	90lm/W	≥90	3000K 4000K	AC220-240v	φ74mm	Bridgelux/CREE /OSRAM	φ74*183mm	10-60°
35W	OSRAM	90lm/W	≥90	3000K 4000K	AC220-240v	φ85mm	Bridgelux/CREE /OSRAM	φ85*203mm	10-60°





Guide light series ET1015 ET1016 ET1017 ET1018

01 Free movement and flexible lighting

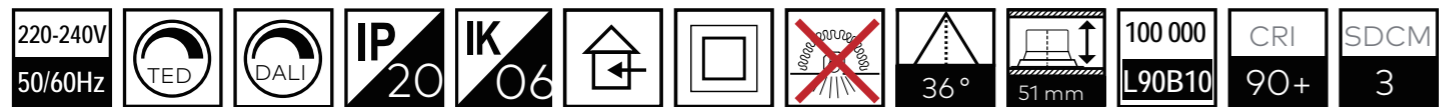
It can move the position of the lamp head, flexibly illuminate and adjust the light source density.

02 Flexible adjustment of shooting effect

It can change the direction of light and create rich light effects.

03 Accidental response of different lamp types

Different types of track lights are applicable to different spaces with different storey heights, and the overall effect of matching spaces



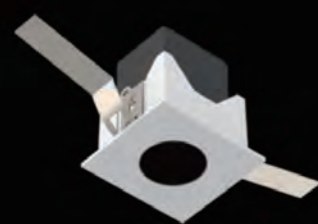
Wattage	Driver	Efficacy	CRI	CCT	Input Voltage	Optical Solution	LED Source	Size	Beam Angle
10W	OSRAM	90lm/W	≥90	3000K 4000K	AC220-240v	reflector	Bridgelux/CREE /OSRAM	φ45*120mm	15/24/38/45/60°
20W	OSRAM	90lm/W	≥90	3000K 4000K	AC220-240v	reflector	Bridgelux/CREE /OSRAM	φ55*140mm	15/24/38/45/60°
30W	OSRAM	90lm/W	≥90	3000K 4000K	AC220-240v	reflector	Bridgelux/CREE /OSRAM	φ65*160mm	15/24/38/45/60°
40W	OSRAM	90lm/W	≥90	3000K 4000K	AC220-240v	reflector	Bridgelux/CREE /OSRAM	φ75*180mm	15/24/38/45/60°





Linear spotlights, with their uniform lighting, flexible orientation, efficient energy use, sophisticated design, long life and low maintenance costs, are suitable for a variety of indoor and outdoor lighting applications to provide users with high-quality lighting solutions.

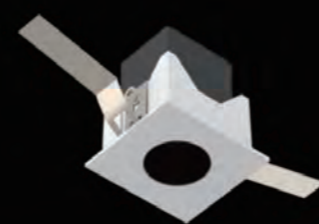
◆ COLOR TEMPERATURE



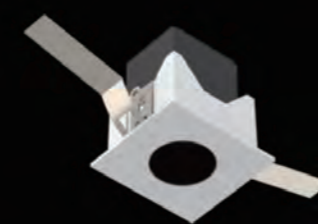
2700K



3000K



3500K



4000K



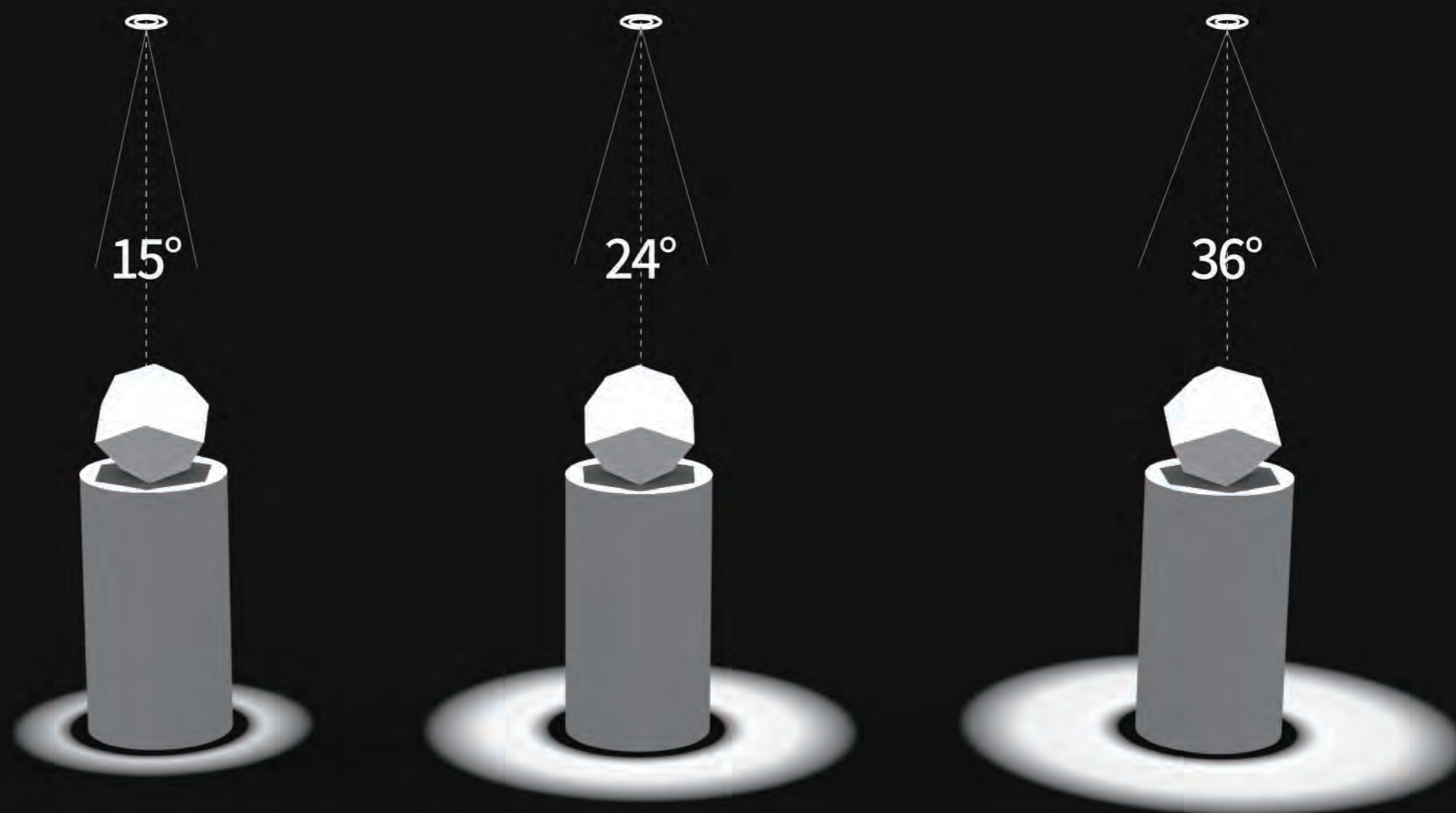
5000K

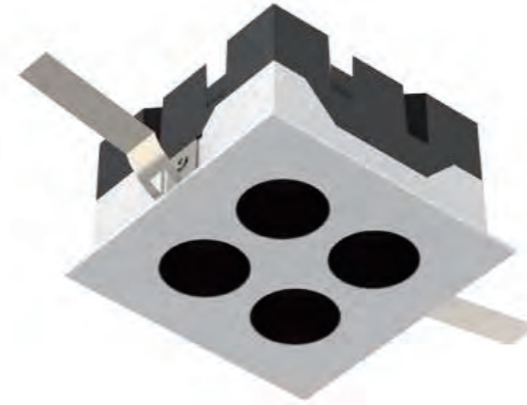
◀ Warm color

Cool color ▶

◆ OPTIONAL ANGLE

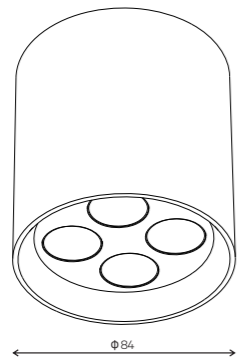
Common ones are 15° / 24° / 36° etc.
15° spot range is relatively small and is generally suitable for emphasis lighting.
24°, 36° can be used to wash the wall or make local lighting
reduce the sense of space occlusion.



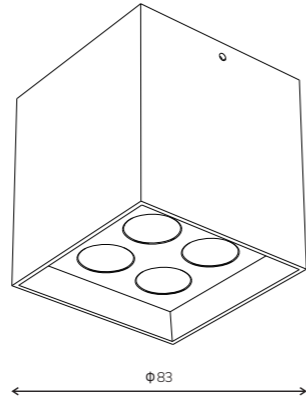


Spot light

ES2100 ES2105 ES2110



90



92

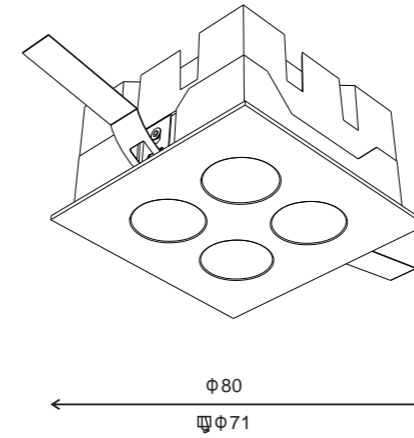
Specification

Wattage	LED Source	UGR	CRI	CCT	Input Voltage	Efficacy	Driver	Size	Beam Angle
2*4W	Bridgelux	<10	≥90	3000/4000/5000K	AC220-240v	560lm 640lm	Lifud/eaglerise	84*90	15/24/36/55°
2*4W	Bridgelux	<10	≥90	3000/4000/5000K	AC220-240v	560lm 640lm	Lifud/eaglerise	83*92	15/24/36/55°

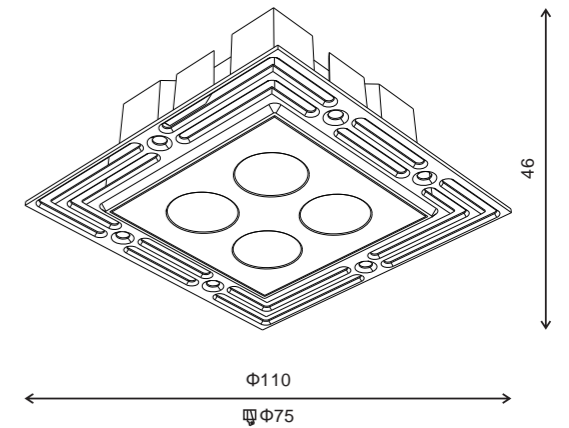


Spot light

ES2100 ES2105 ES2110



46

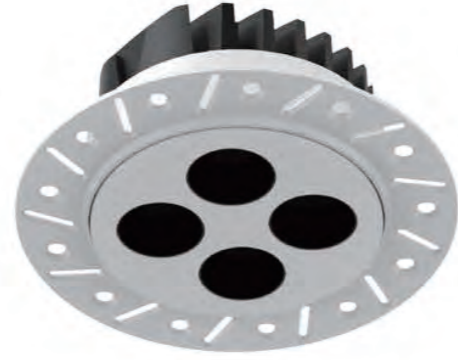


46

Specification

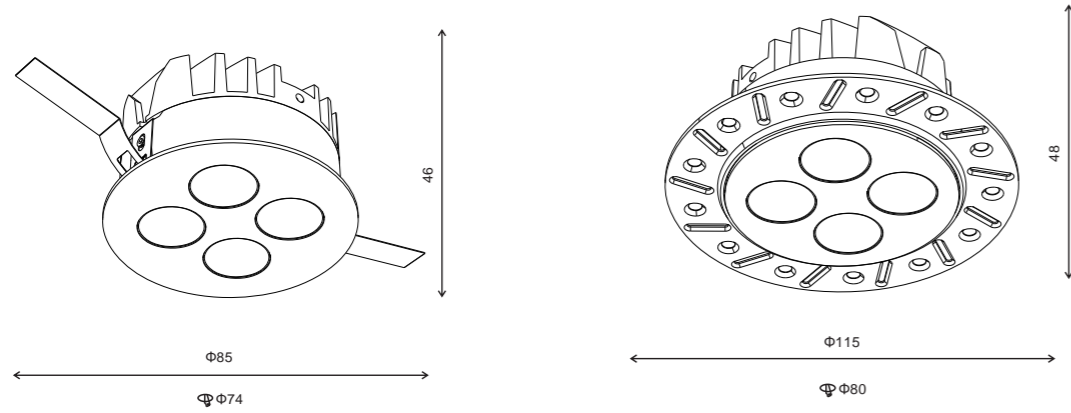
Wattage	LED Source	UGR	CRI	CCT	Input Voltage	Efficacy	Driver	Size	Beam Angle
2*4W	Bridgelux	<10	≥90	3000/4000/5000K	AC220-240v	560lm 640lm	Lifud/eaglerise	110*46	15/24/36/55°
2*4W	Bridgelux	<10	≥90	3000/4000/5000K	AC220-240v	560lm 640lm	Lifud/eaglerise	80*46	15/24/36/55°





Spot light

ES2100 ES2105 ES2110



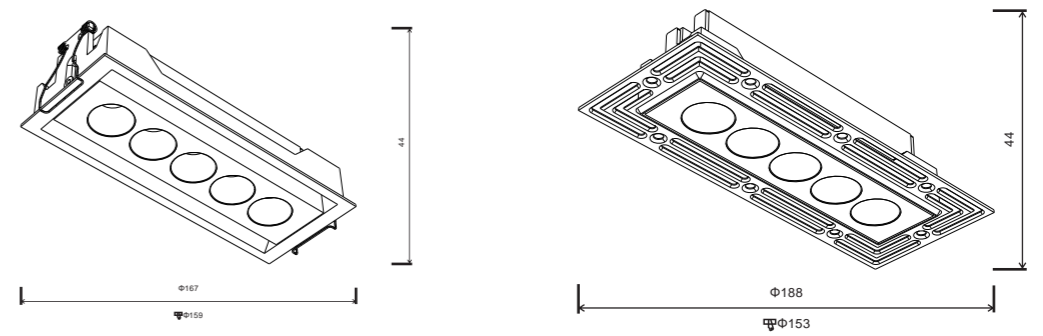
Specification

Wattage	LED Source	UGR	CRI	CCT	Input Voltage	Efficacy	Driver	Size	Beam Angle
2*4W	Bridgelux	<10	≥90	3000/4000/5000K	AC220-240v	560lm 640lm	Lifud/eaglerise	85*46	15/24/36/55°
2*4W	Bridgelux	<10	≥90	3000/4000/5000K	AC220-240v	560lm 640lm	Lifud/eaglerise	115*48	15/24/36/55°



Spot light

ES2100 ES2105 ES2110



Specification

Wattage	LED Source	UGR	CRI	CCT	Input Voltage	Efficacy	Driver	Size	Beam Angle
2*5W	Bridgelux	<10	≥90	3000/4000/5000K	AC220-240v	560lm 640lm	Lifud/eaglerise	85*46	15/24/36/55°
2*5W	Bridgelux	<10	≥90	3000/4000/5000K	AC220-240v	560lm 640lm	Lifud/eaglerise	115*48	15/24/36/55°





Linear spot light

ES3032

Uniform lighting

Linear spotlights are designed to provide a uniform distribution of light, ensuring that the entire illuminated area is properly illuminated, avoiding differences in light and dark.

Flexible orientation

These lamps allow users to Orient and adjust as needed to meet different lighting requirements. Users can choose to focus the light on a specific area or spread it over a wider area

Smart design

Linear spotlights are usually very sophisticated in their exterior design and can be incorporated into a variety of interior decoration styles. They not only provide functional lighting, but can also be used as part of the interior decoration to enhance the beauty of the space.

Specification

Wattage	LED Source	UGR	CRI	CCT	Input Voltage	Cut out	Driver	Size	Beam Angle
3*2W	Bridgelux	<10	≥90	3000K/4000K/5000K	AC220-240v	Φ108*40	Lifud/eaglerise	118*50	15/24/36/55°



Linear spot light

ED4009

Uniform lighting

Linear spotlights are designed to provide a uniform distribution of light, ensuring that the entire illuminated area is properly illuminated, avoiding differences in light and dark.

Flexible orientation

These lamps allow users to Orient and adjust as needed to meet different lighting requirements. Users can choose to focus the light on a specific area or spread it over a wider area

Smart design

Linear spotlights are usually very sophisticated in their exterior design and can be incorporated into a variety of interior decoration styles. They not only provide functional lighting, but can also be used as part of the interior decoration to enhance the beauty of the space.

Specification

Wattage	LED Source	UGR	CRI	CCT	Input Voltage	Cut out	Driver	Size	Beam Angle
3*2W	Bridgelux	<10	≥90	3000K/4000K/5000K	AC220-240v		Lifud/eaglerise	118*42	15/24/36/55°





Linear spot light

ES3034

Uniform lighting

Linear spotlights are designed to provide a uniform distribution of light, ensuring that the entire illuminated area is properly illuminated, avoiding differences in light and dark.

Flexible orientation

These lamps allow users to Orient and adjust as needed to meet different lighting requirements. Users can choose to focus the light on a specific area or spread it over a wider area

Smart design

Linear spotlights are usually very sophisticated in their exterior design and can be incorporated into a variety of interior decoration styles. They not only provide functional lighting, but can also be used as part of the interior decoration to enhance the beauty of the space.

Specification

Wattage	LED Source	UGR	CRI	CCT	Input Voltage	Cut out	Driver	Size	Beam Angle
6*2W	Bridgelux	<10	≥90	3000K/4000K/5000K	AC220-240v	Φ215*40	Lifud/eaglerise	225*50	15/24/36/55°



Linear spot light

ED4010

Uniform lighting

Linear spotlights are designed to provide a uniform distribution of light, ensuring that the entire illuminated area is properly illuminated, avoiding differences in light and dark.

Flexible orientation

These lamps allow users to Orient and adjust as needed to meet different lighting requirements. Users can choose to focus the light on a specific area or spread it over a wider area

Smart design

Linear spotlights are usually very sophisticated in their exterior design and can be incorporated into a variety of interior decoration styles. They not only provide functional lighting, but can also be used as part of the interior decoration to enhance the beauty of the space.

Specification

Wattage	LED Source	UGR	CRI	CCT	Input Voltage	Cut out	Driver	Size	Beam Angle
6*2W	Bridgelux	<10	≥90	3000K/4000K/5000K	AC220-240v	Φ202*40	Lifud/eaglerise	212*55	15/24/36/55°





Linear spot light

ES3035

Uniform lighting

Linear spotlights are designed to provide a uniform distribution of light, ensuring that the entire illuminated area is properly illuminated, avoiding differences in light and dark.

Flexible orientation

These lamps allow users to Orient and adjust as needed to meet different lighting requirements. Users can choose to focus the light on a specific area or spread it over a wider area

Smart design

Linear spotlights are usually very sophisticated in their exterior design and can be incorporated into a variety of interior decoration styles. They not only provide functional lighting, but can also be used as part of the interior decoration to enhance the beauty of the space.

Specification

Wattage	LED Source	UGR	CRI	CCT	Input Voltage	Cut out	Driver	Size	Beam Angle
3*3W	Bridgelux	<10	≥90	3000K/4000K/5000K	AC220-240V	Φ120*45	Lifud/eaglerise	180*45*65	15/24/36/55°



Linear spot light

ES3036

Uniform lighting

Linear spotlights are designed to provide a uniform distribution of light, ensuring that the entire illuminated area is properly illuminated, avoiding differences in light and dark.

Flexible orientation

These lamps allow users to Orient and adjust as needed to meet different lighting requirements. Users can choose to focus the light on a specific area or spread it over a wider area

Smart design

Linear spotlights are usually very sophisticated in their exterior design and can be incorporated into a variety of interior decoration styles. They not only provide functional lighting, but can also be used as part of the interior decoration to enhance the beauty of the space.

Specification

Wattage	LED Source	UGR	CRI	CCT	Input Voltage	Cut out	Driver	Size	Beam Angle
6*3W	Bridgelux	<10	≥90	3000K/4000K/5000K	AC220-240V	Φ225*45	Lifud/eaglerise	295*45*65	15/24/36/55°

